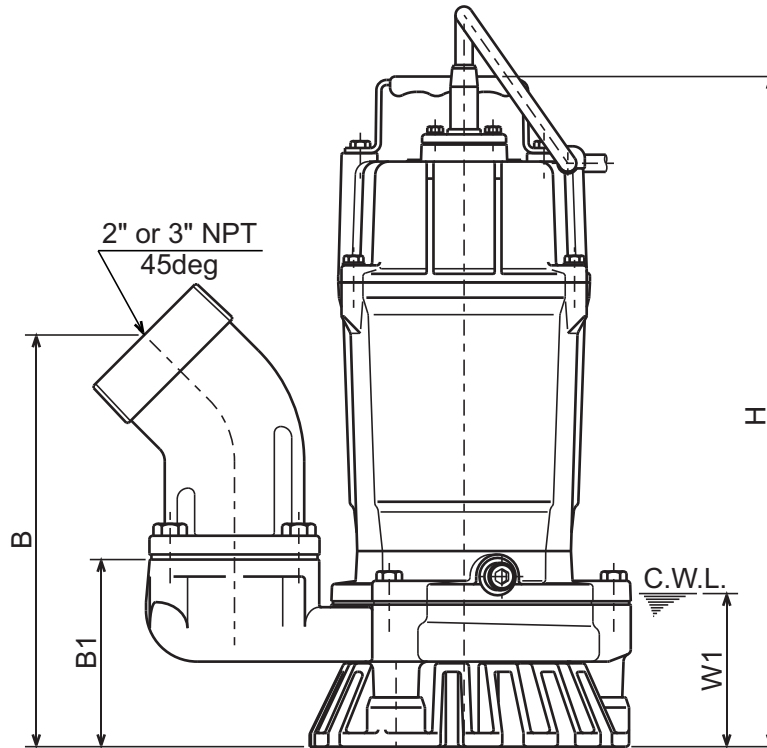
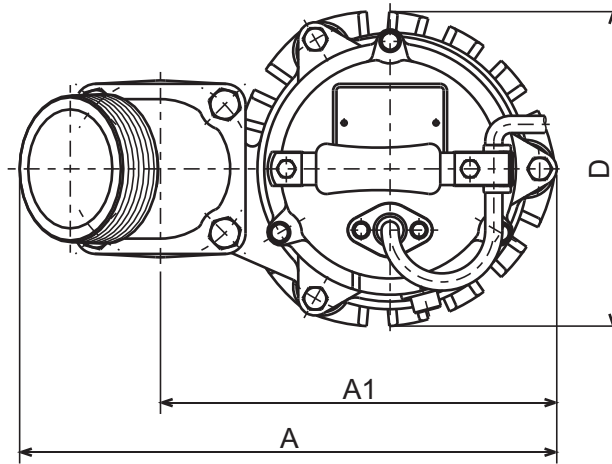




HS - SERIES
SEMI-VORTEX - WASTEWATER PUMP

DIMENSIONS

HS2.75S-62
HS3.75S-62



C.W.L. : Continuous running Water Level

DIMENSIONS:USCS (Inch)

Model	HP	NOM. SIZE	Pump & Motor						C.W.L.	Wt. (lbs.)
			A	A1	B	B1	D	H	W1	
HS2.75S-62	1	2"	11 7/16	9 3/16	8 5/8	4 5/16	7 5/16	15 5/16	3 1/2	42
HS3.75S-62	1	3"	12 7/16	9 3/16	9 1/2	4 5/16	7 5/16	15 5/16	3 1/2	43

DIMENSIONS:METRIC (mm)

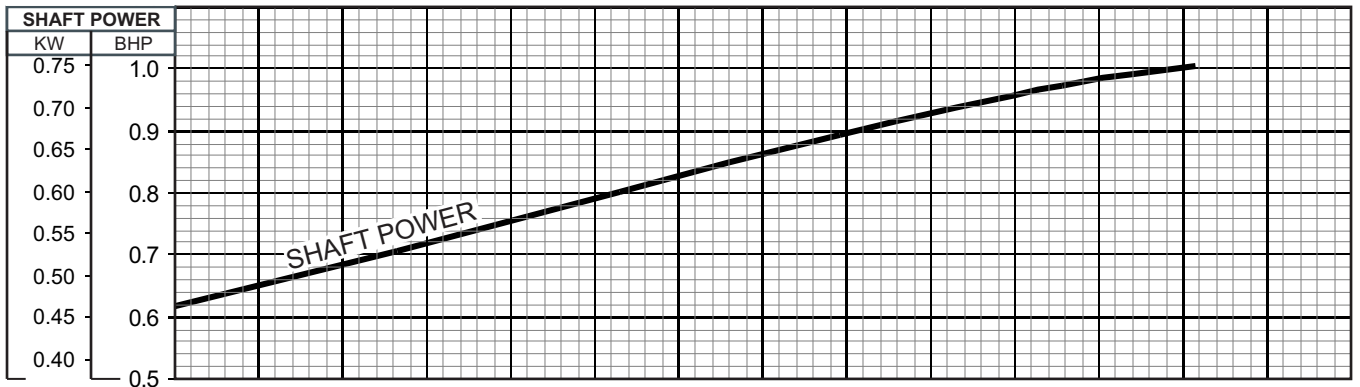
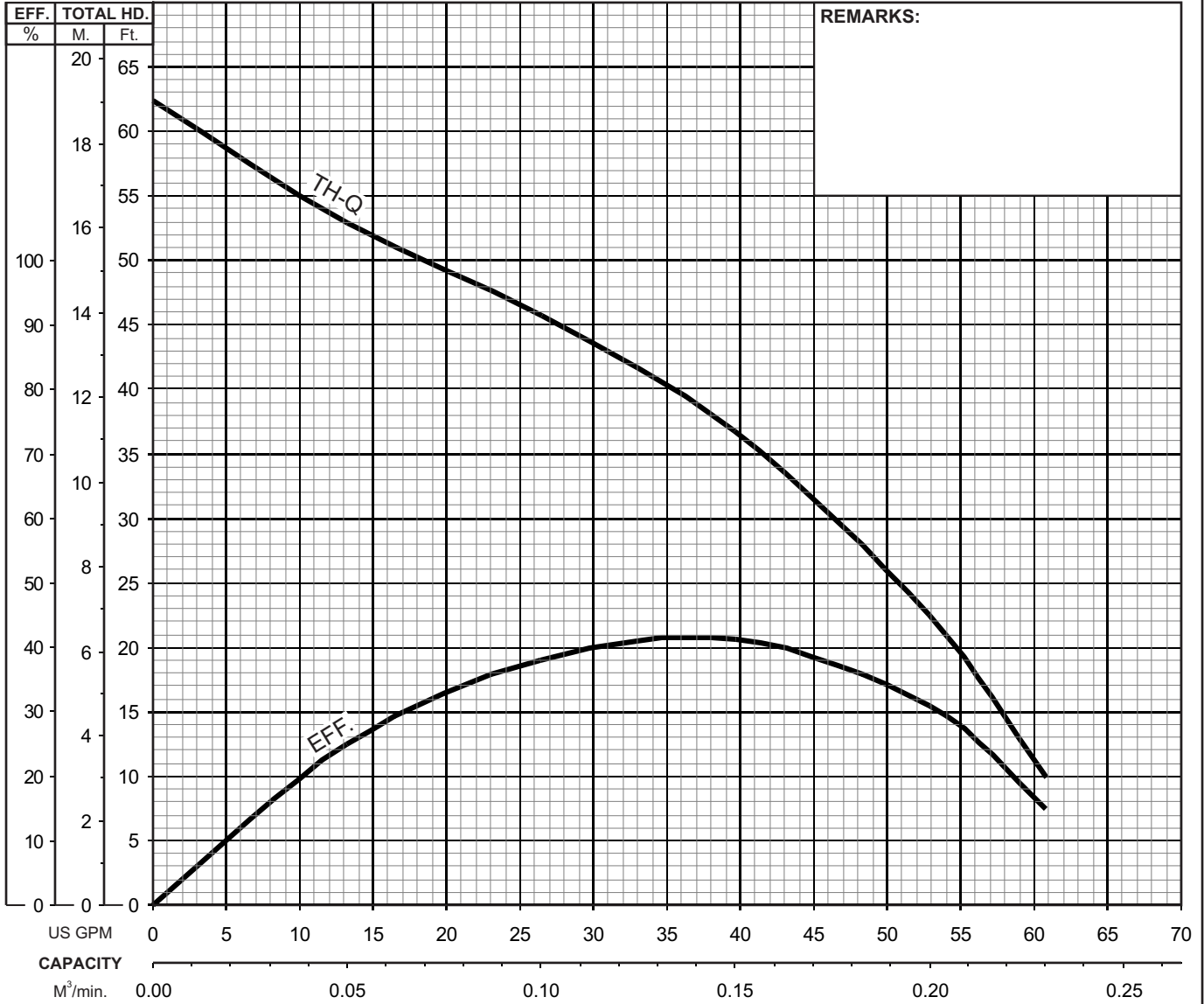
Model	kW	NOM. SIZE	Pump & Motor						C.W.L.	Wt. (kg)
			A	A1	B	B1	D	H	W1	
HS2.75S-62	0.75	50	290	233	220	110	185	389	90	19.0
HS3.75S-62	0.75	80	317	233	242	110	185	389	90	19.6



HS - SERIES SEMI-VORTEX - WASTEWATER PUMP

PERFORMANCE CURVE

MODEL		BORE	HP	KW	RPM	SOLIDS DIA	LIQUID	SG.	VISCOSITY	TEMP.
HS(Z)3.75S-62		3" / 80mm	1	0.75	3411	0.28" / 7mm	Water	1.0	1.123 cSt.	60°F
PUMP TYPE		PHASE	VOLTAGE		AMPERAGE		HZ	STARTING METHOD		INS. CLASS
Semi-Vortex - Wastewater Pump		Single	110/115, 220/230		10.0 / 9.7 , 5.1 / 4.9		60	Capacitor Start		E
CURVE No.	DATE	PHASE	VOLTAGE	AMPERAGE	HZ	STARTING METHOD	INS. CLASS			
-	-	-	-	-	-	-	-			

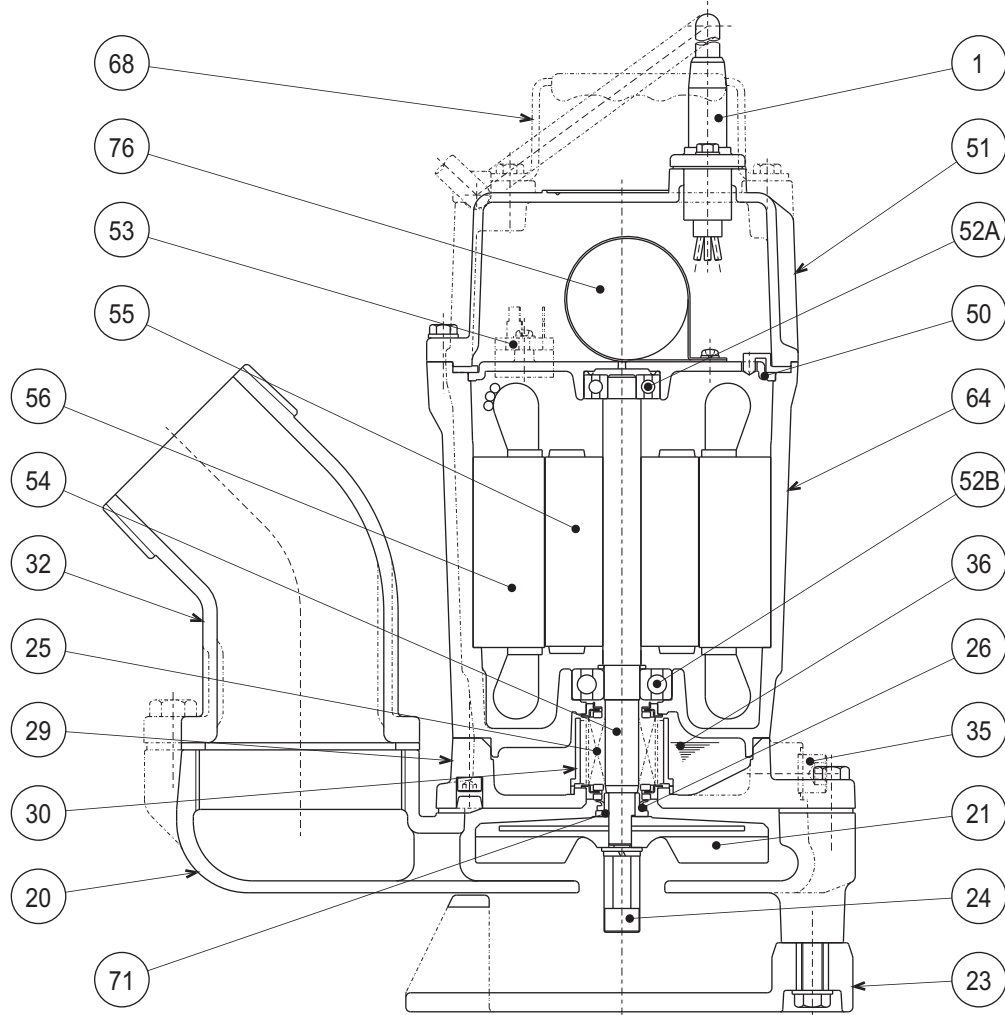




HS - SERIES
SEMI-VORTEX - WASTEWATER PUMP

SECTIONAL VIEW

HS2.75S-62
HS3.75S-62



ITEM#	DESCRIPTION	MAIN MATERIAL / NOTE	RELATED ASTM, AISI CODE	RELATED EN CODE	Q'TY
1	Power Cable	PVC Sheath AWG14/3-32ft			1
20	Pump Casing	Ductile Cast Iron	A536 65-45-12	EN 1563 GJS-450-10	1
21	Impeller	Urethane Rubber			1
23	Suction Strainer	PVC			1
24	Agitator	Steel	A283 Grade D	EN 10025 S275	1
25	Mechanical Seal	Silicon Carbide / W-14VL			1
26	V-Ring	Nitrile Butadiene Rubber			1
29	Oil Casing	Ductile Cast Iron	A536 65-45-12	EN 1563 GJS-450-10	1
30	Oil Lifter	PBT Resin			1
32	Discharge Connection	Cast Iron / NPT 2" or 3"	A48M Class30B	EN 1561 GJL-200	1
35	Oil Plug	Stainless Steel	S 30400	1.4301	1
36	Lubricant	Turbine Oil ISO VG32 or SAE10W-20			1
50	Motor Bracket	Aluminum Alloy Die Casting	B85 383.0	EN 1706 AC-46100	1
51	Motor Head Cover	Aluminum Alloy Die Casting	B85 383.0	EN 1706 AC-46100	1
52A	Upper Bearing	#6201ZZC3			1
52B	Lower Bearing	#6302ZZC3			1
53	Motor Protector				1
54	Shaft	Stainless Steel	S 40300	1.4000	1
55	Rotor				1
56	Stator				1
64	Motor Housing	Aluminum Alloy Die Casting	B85 383.0	EN 1706 AC-46100	1
68	Handle	Steel (Hot Rolled) + NR Rubber	A1011	EN 10111	1
71	Shaft Sleeve	Stainless Steel	S 30400	1.4301	1
76	Capacitor				1

PARTS LIST		DEWATERING PUMP			1/5/2018	
ITEM	PART No.	DESCRIPTION	QTY	SIZE	MATERIAL	NOTES
1	001-471-12	Cabtyre Cable Set (32')115V-60Hz(USA)	1	VCT3Cx2mm2	LB	
	001-443-31	Cabtyre Cable Set (32')230V-60Hz(USA)	1	VCT3Cx2mm2	LB	
2	010-134-18	Cable Clip Rubber	1	HS3-4	NBR	
3	140-427-17	Hex.Bolt (w/Plain Washer)	2	M5x15	SUS304	
4	003-190-10	Gland	1		SUS316	
5	140-032-37	Hex.Bolt	2	M6x15	SWRM	
6	068-272-18	Handle	1	HS2.4(S)-50/60	SPC+NR	
7	140-396-16	Hex.Bolt (w/Plain Washer)	3	M6x20	SUS304	
8	051-000-51	Motor Head Cover	1	BLUE	ADC	
9	121-001-45	Packing	1	HS-750W	NBR	*
10	009-001-03	Intermediate Lead Wire	1Set	AWG16x160(red)		
11	009-001-42	Intermediate Lead Wire	1Set	AWG16x80(Indigo)		
12	143-000-43	Truss Screw	2	M4x8	SWRM	
13	053-001-33	Motor Protector 115V-60Hz(USA)	1	KA142-BBBL21F	(T.C)	
	053-001-97	Motor Protector 230V-60Hz(USA)	1	KA142-LPZL24F	(T.C)	
14	076-000-43	Capacitor 115V-60Hz(USA)	1	250VAC-70MF		
	076-000-44	Capacitor 230V-60Hz(USA)	1	450VAC-21MF		
15	143-085-21	Pan Screw (w/Spring Washer)	1	M4x6	SWRM	interchangeable with 143-086-22
16	127-000-46	Capacitor Fixing Plate	1	d51	SPC	interchangeable with 127-000-99
17	009-001-02	Earth Terminal	1Set	UL1015- AWG18,G/Y,L=160		
18	143-203-14	Pan Screw (w/Spring Washer)	1	M4x5	C360	
19	050-001-12	Motor Bracket	1		ADC	
20	142-192-16	Wave Washer	1	6201(D=32,t=0.4)	SK5	
21	052-100-15	Bearing	1	6201ZZC3		
22	055-002-89	Rotor	1Set	w/Bearing		
23	061-180-17	Bearing Collar	1	d15.1xd20x1.6t	SS	
24	052-152-12	Bearing	1	6302ZZC3		
25	056-008-14	Stator 115V-60Hz(USA)	1Set			
	056-008-15	Stator 230V-60Hz(USA)	1Set	d51		
26	064-001-24	Motor Frame	1	BLUE	ADC	
27	025-291-10	Mechanical Seal	1	W-14VL	SSiC	
28	030-000-09	Oil Lifter	1	W-14VL	Resin	
29	122-133-17	O-Ring	1	G-110(109.4xd3.1)	NBR	*
30	140-056-37	Hex.Bolt	3	M8x30	SWRM	
31	029-000-74	Oil Casing	1	HS3.75S/HS2.75S	FCD	
32	121-246-11	Packing	1	d10.3xd16x2t	PE	*
33	035-124-12	Oil Plug	1	M10x15	SUS304	
34	121-000-74	Packing	1	HS3.75S/HS2.75S	NR	*

PARTS LIST		DEWATERING PUMP				1/5/2018
ITEM	PART No.	DESCRIPTION	QTY	SIZE	MATERIAL	NOTES
35	140-256-26	Hex.Socket Cap Bolt	3	M6x35	SCM	
36	122-441-11	V-Ring	1	VR-14	NBR	
37	071-292-14	Shaft Sleeve	1	LB3-250/480	SUS304	
38	021-007-55	Impeller (60Hz)	1	HS2.75S-62	Urethane Rubber	
39	142-127-10	Plain Washer	1	M8	SUS304	
40	142-163-18	Spring Washer	1	M8	SUS304	
41	024-174-13	Agitator	1	HS2.4(S)(M8)	Sintered Alloy	
42	140-076-33	Hex.Bolt	4	M10x30	SWRM	
43	142-128-24	Plain Washer	4	M10	SPC	
44	032-000-34	Hose Coupling 3" angled	1	NPT-3(45) KT-15	FC	
	032-000-35	Hose Coupling 2" angled OPTION	1	NPT-3(45) KT-15	FC	OPTION
	032-158-16	Hose Coupling 2" straight OPTION	1	NPT 2" (STRAIGHT) KT-15	FC	OPTION
	032-160-11	Hose Coupling 3" straight OPTION	1	NPT 3" (STRAIGHT) KT-15	FC	OPTION
45	121-181-17	Packing	1	KT-15	NBR	*
46	020-001-57	Pump Casing	1	HS3.75S/HS2.75S	FCD	
47	023-000-77	Strainer Stand	1	HS3.75S	PVC	
48	142-127-23	Plain Washer	3	M8	SPC	
49	140-057-38	Hex.Bolt	3	M8x35	SWRM	
	173-003-27	Packing O-Ring Set	1Set	(Marked by *)		
9	121-001-45	Packing (Head Cover/M.Frame)	1	HS-750W	NBR	*
29	122-133-17	O-Ring (M.Frame/O.Casing)	1	G-110(109.4xd3.1)	NBR	*
32	121-246-11	Packing (Oil Plug)	1	d10.3xd16x2t	PE	*
34	121-000-74	Packing (O.Casing/P.Casing)	1	HS3.75S/HS2.75S	NR	*
45	121-181-17	Packing (Hose Coupling)	1	KT-15	NBR	*
		Lubricant				

PARTS LIST		DEWATERING PUMP				1/5/2018
ITEM	PART No.	DESCRIPTION	QTY	SIZE	MATERIAL	NOTES

EXPLODED VIEW

HS3.75S-62

