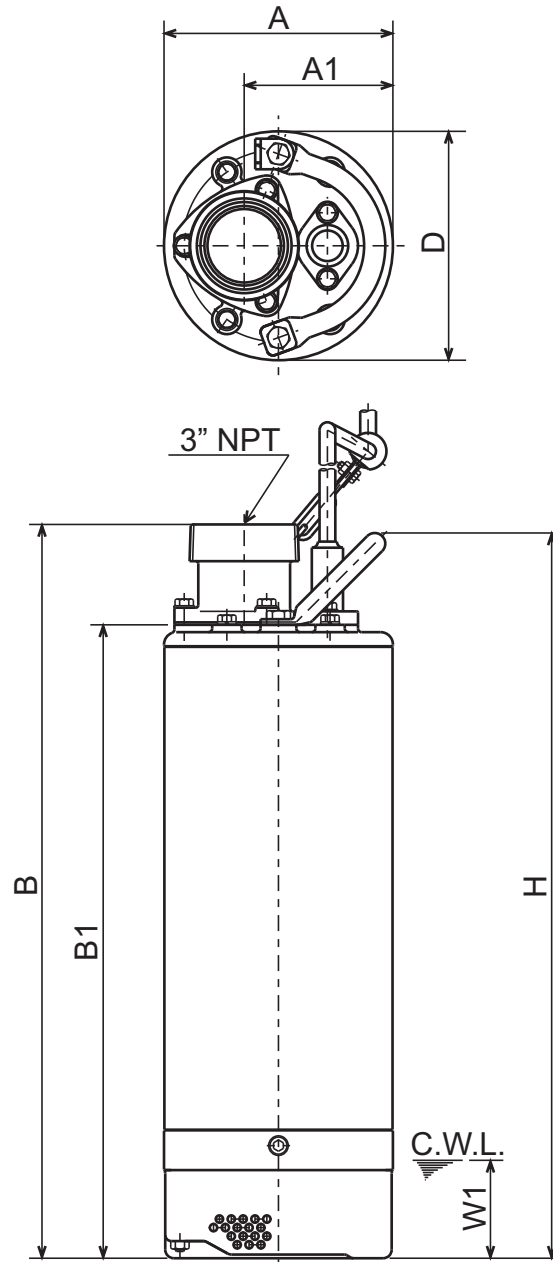




LB - SERIES
SEMI-VORTEX - DEWATERING PUMP

DIMENSIONS

LB-1500-60
LBT-1500-60



C.W.L. : Continuous running Water Level

DIMENSIONS:USCS (Inch)

Model	HP	NOM. SIZE	Pump & Motor						C.W.L.	Wt. (lbs.)
			A	A1	B	B1	D	H	W1	
LB-1500-60	2	3"	7 3/8	4 13/16	23 5/8	20 3/8	7 3/8	23 5/16	3 1/8	72
LBT-1500-60	2	3"	7 3/8	4 13/16	23 5/8	20 3/8	7 3/8	23 5/16	3 1/8	70

DIMENSIONS:METRIC (mm)

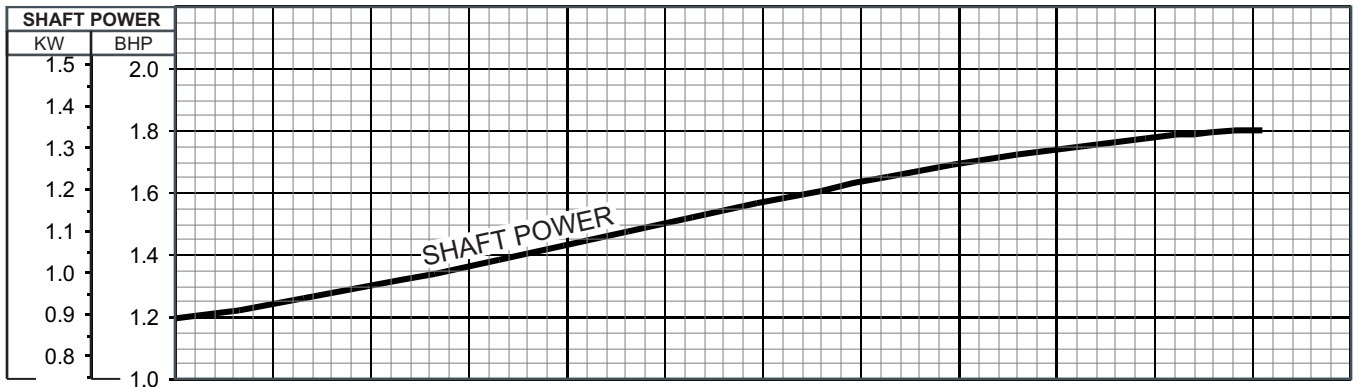
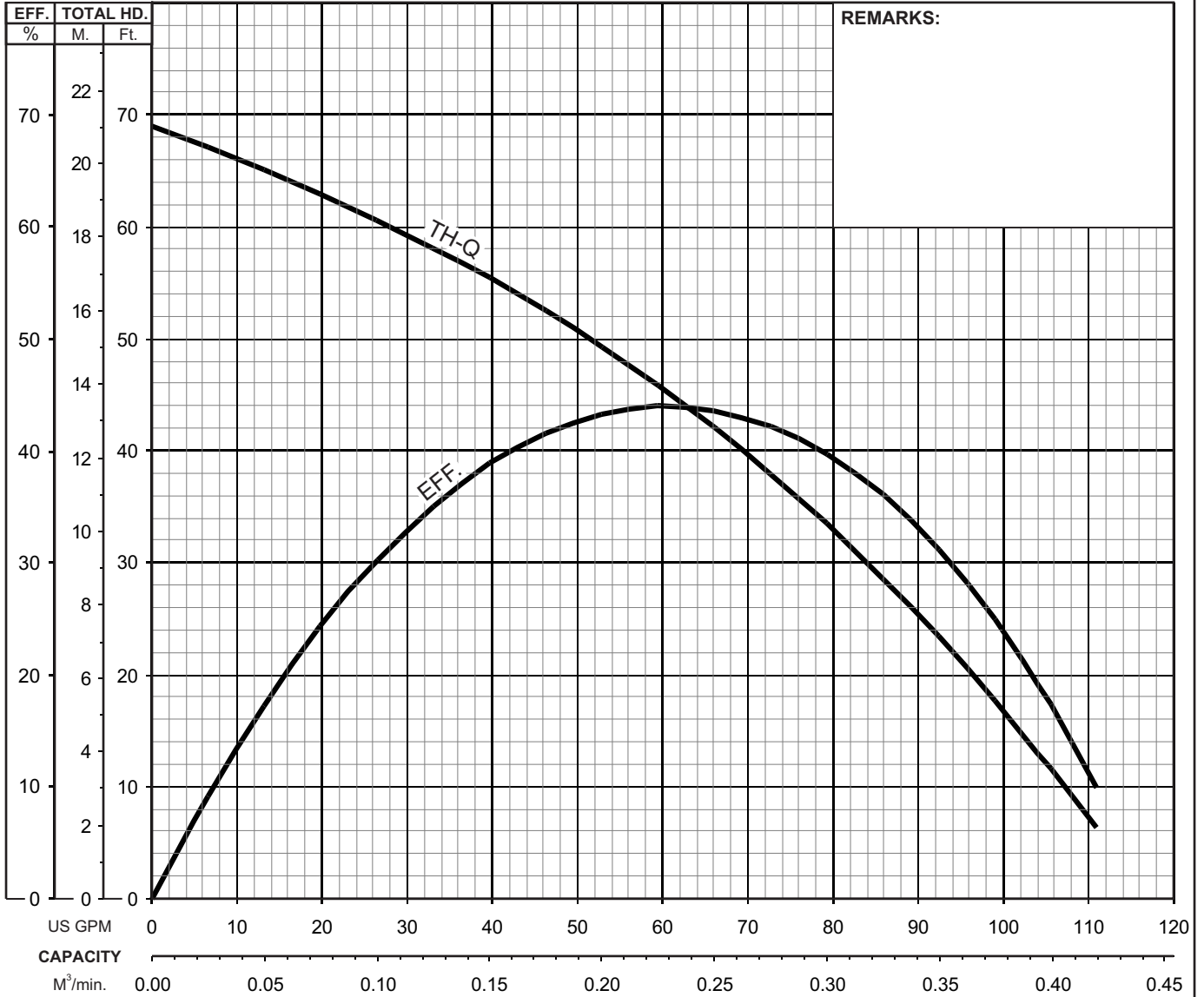
Model	kW	NOM. SIZE	Pump & Motor						C.W.L.	Wt. (kg)
			A	A1	B	B1	D	H	W1	
LB-1500-60	1.5	80	187	122	600	518	187	593	80	32.5
LBT-1500-60	1.5	80	187	122	600	518	187	593	80	32.0

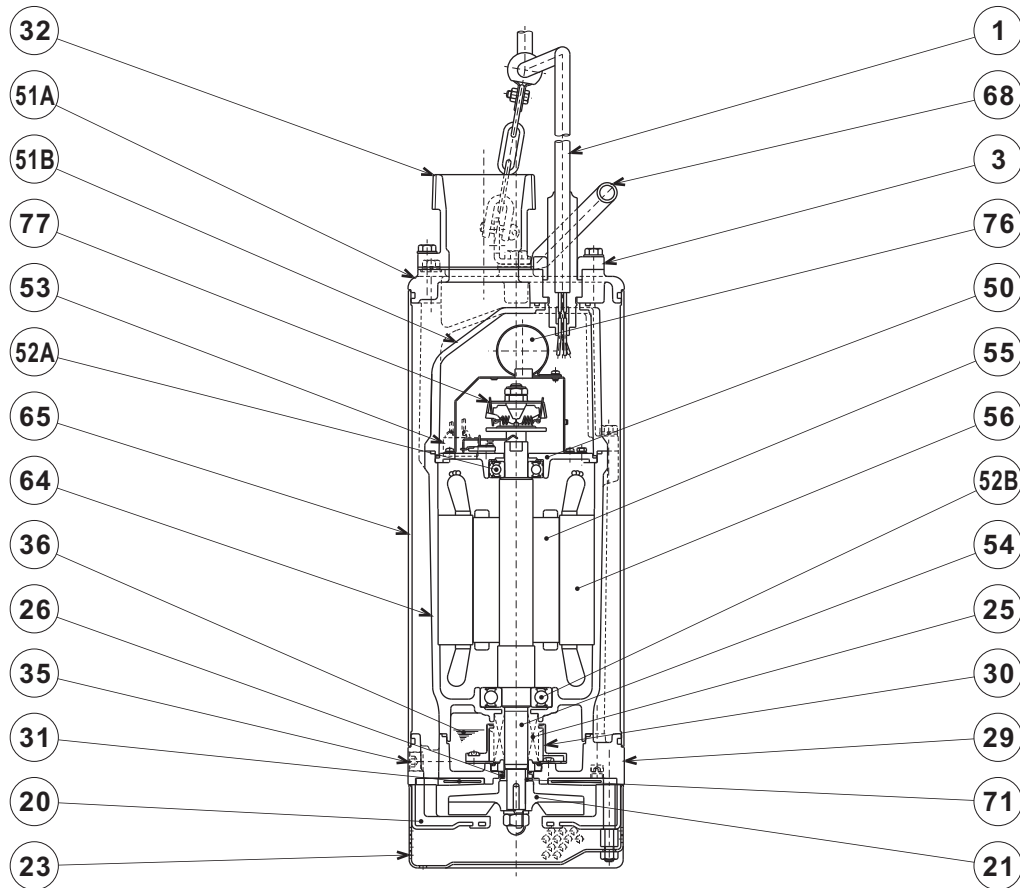


LB - SERIES SEMI-VORTEX - DEWATERING PUMP

PERFORMANCE CURVE

MODEL	BORE	HP	KW	RPM	SOLIDS DIA	LIQUID	SG.	VISCOSITY	TEMP.
LB-1500-60	3"/80mm	2	1.5	3480	0.236"/6mm	Water	1.0	1.123 cSt.	60°F
PUMP TYPE	PHASE	VOLTAGE	AMPERAGE	HZ	STARTING METHOD	INS. CLASS			
Semi-Vortex Dewatering Pump	Single	110/115/120, 230	27.1/26.2/27.0, 13.2	60	Capacitor Start	B			
CURVE No.	DATE	PHASE	VOLTAGE	AMPERAGE	HZ	STARTING METHOD	INS. CLASS		
-	-	-	-	-	-	-	-		



LB-1500-60


ITEM#	DESCRIPTION	MAIN MATERIAL / NOTE	RELATED ASTM, AISI CODE	RELATED EN CODE	Q'TY
1	Power Cable	Chloroprene Sheath AWG12/3-50ft or AWG14/3-50ft (230V)			1
3	Gland	Aluminum Alloy Die Casting	B85 383.0	EN 1706 AC-46100	1
20	Pump Casing	Butadiene Rubber + Natural Rubber + Steel (Cold Rolled)	(A109/A1008)	(EN 10130)	1
21	Impeller	High Chrome Cast Iron	A532 Class III Type A	DIN 1695 G-X260Cr27	1
23	Suction Strainer	Steel (Cold Rolled)	A109/A1008	EN 10130	1
25	Mechanical Seal	Silicon Carbide / H-20T			1
26	V-Ring	Nitrile Butadiene Rubber			1
29	Oil Casing	Cast Iron	A48M Class30B	EN 1561 GJL-200	1
30	Oil Lifter	PBT Resin			1
31	Wearing Plate	Butadiene Rubber + Natural Rubber			1
32	Discharge Connection	Cast Iron / NPT 3"	A48M Class30B	EN 1561 GJL-200	1
35	Oil Plug	Stainless Steel	S 30400	1.4301	1
36	Lubricant	Turbine Oil ISO VG32 or SAE10W -20			
50	Motor Bracket	Aluminum Alloy Die Casting	B85 383.0	EN 1706 AC-46100	1
51A	Pump Head Cover	Aluminum Alloy Die Casting	B85 383.0	EN 1706 AC-46100	1
51B	Motor Head Cover	Aluminum Alloy Die Casting	B85 383.0	EN 1706 AC-46100	1
52A	Upper Bearing	AC-#6204ZZC3			1
52B	Lower Bearing	#6305ZZC3			1
53	Motor Protector				1
54	Shaft	Stainless Steel	S 40300	1.4000	1
55	Rotor				1
56	Stator				1
64	Motor Housing	Aluminum Alloy Die Casting	B85 383.0	EN 1706 AC-46100	1
65	Outer Cover	Steel (Cold Rolled)	A109/A1008	EN 10130	1
68	Handle	Steel Pipe	A53 Type F	DIN 1615 St 33	1
71	Shaft Sleeve	Stainless Steel	S 30400	1.4301	1
76	Capacitor				1
77	Centrifugal Switch				1

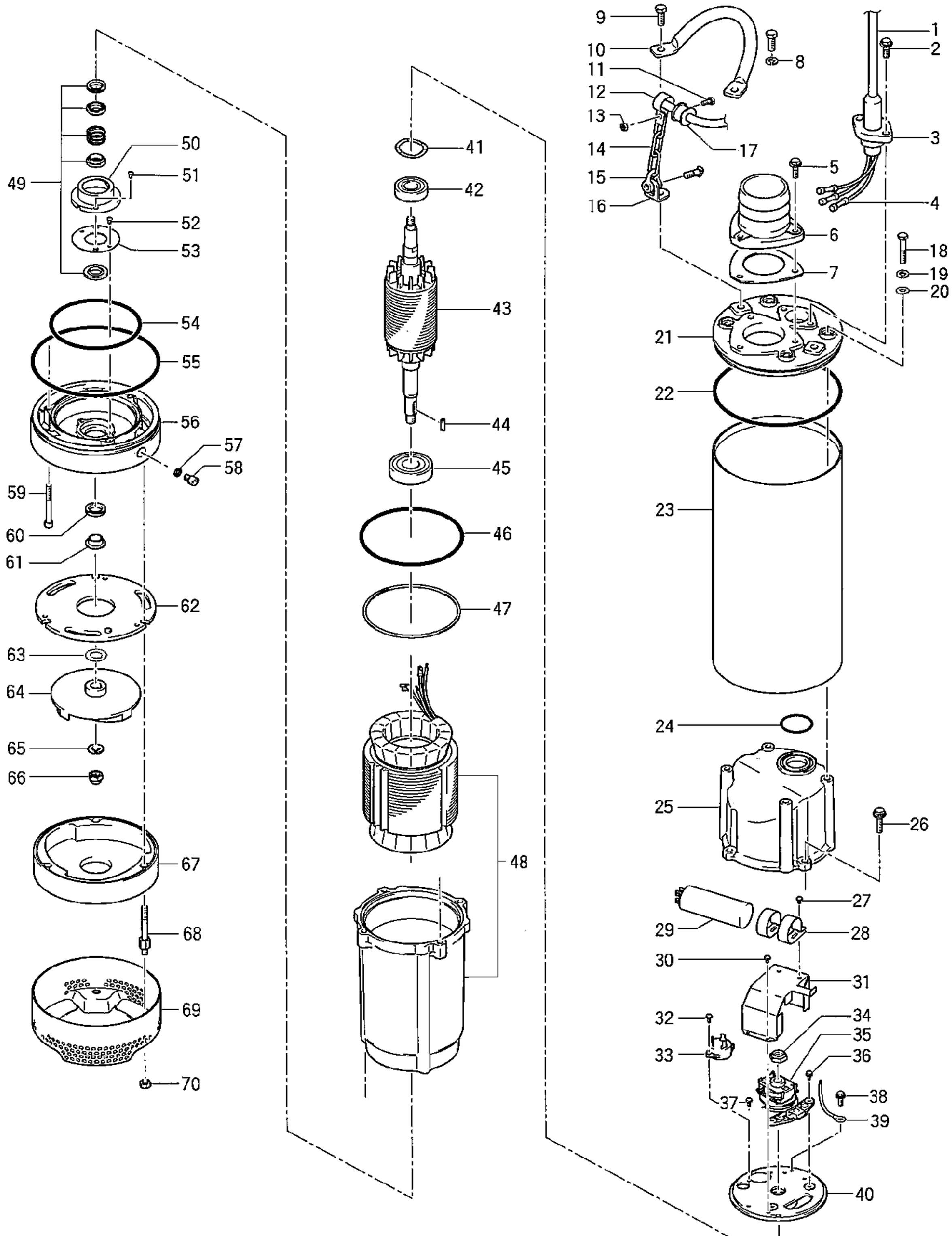
PARTS LIST		CONTRACTOR DEWATERING PUMP			11/8/2019	
ITEM	PART No.	DESCRIPTION	QTY	SIZE	MATERIAL	NOTES
1	001-006-29	Cabtyre Cable Set (50') 115V-60Hz(USA)	1	2PNCTF3Cx3.5mm2	LB-1500	
	001-006-28	Cabtyre Cable Set (50')230V-60Hz(USA)	1	2PNCTF3Cx2mm2	LB-1500	
2	140-477-12	Hex.Bolt (w/Plain Washer)	2	M8x30	SUS304	
3	003-000-22	Gland	1	LB-1500	ADC	
4	009-276-19	Compression type Terminal 115V-60Hz(USA)	3	TMNB-5.5(Insulated)		
	009-274-17	Compression type Terminal 230V-60Hz(USA)	3	TMNB-2(Insulated)		
5	140-477-12	Hex.Bolt (w/Plain Washer)	3	M8x30	SUS304	
6	032-355-15	Hose Coupling 3" NPT	1	NPT-3(KTV2-15)	FC	
	032-351-11	Hose Coupling 2" NPT OPTION	1	NPT-2(KTV2-15)	FC	2" OPTION
7	121-001-09	Packing	1	KTV2-15/22	NBR	*
8	142-128-24	Plain Washer	1	M10	SPC	
9	140-075-16	Hex.Bolt	2	M10x25	SUS304	
10	068-000-25	Handle	1	LB-1500	SGP	
11	140-032-37	Hex.Bolt	1	M6x15	SWRM	
12	010-120-18	Cable Clip	1	No.2-1	SPC	
13	141-004-59	Hex.Nut	1	M6	SWRM	
14	095-000-95	Chain	1	4mm(4L)	SS	replaces OLD# 095-131-18 (3L)
15	011-110-11	Shackle	1	6mm(M8,SC)	SS	
16	070-117-11	L-Shape Fitting	1	40x25x4.5t d13Hole	SPC	
17	010-124-15	Cable Clip Rubber	1	No.3	NBR	
18	140-060-18	Hex.Bolt	4	M8x50	SUS304	
19	142-163-18	Spring Washer	4	M8	SUS304	
20	142-337-15	Seal Washer	4	SM-8	SUS+NBR	*
21	051-000-31	Pump Head Cover	1		ADC	
22	122-172-18	O-Ring	1	V-175(173xd4)	NBR	*
23	065-000-38	Outer Cover	1	LB-1500	SPCC	
24	122-119-17	O-Ring	1	G-40(39.4xd3.1)	NBR	*
25	051-000-33	Motor Head Cover	1		ADC	
26	140-432-15	Hex.Bolt (w/Spring Washer/Plain Washer)	4	M8x30	SUS304	
27	143-085-21	Pan Screw (w/Spring Washer)	2	M4x6	SWRM	
28	127-000-39	Capacitor Fixing Plate	2		SPCC	
29	076-000-33	Capacitor	1	600MF-125VAC(L=100)	(T)	
30	143-086-22	Pan Screw (w/Spring Washer)	4	M4x8	SWRM	
31	078-000-03	Centrifugal Switch Cover	1	LB-1500	SECC	
32	143-087-23	Pan Screw (w/Spring Washer)	2	M4x10	SWRM	
33	053-001-54	Motor Protector 115V-60Hz(USA)	1	KA113-CCZL00	(H.C)	
	053-001-55	Motor Protector 230V-60Hz(USA)	1	KA113-CCZL402	(H.C)	
34	141-000-07	Hex.Nut	1	M10	SUS304	
35	077-115-10	Centrifugal Switch	1	GS-114		
36	143-135-14	Pan Screw (w/Spring Washer/Plain Washer)	2	M4x10	SWRM	
37	143-000-36	Pan Screw	2	M3x5	SWRM	
38	140-000-44	Hex.Bolt (w/Spring Washer/Plain Washer)	1	M4x8	SWRM	

PARTS LIST		CONTRACTOR DEWATERING PUMP			11/8/2019	
ITEM	PART No.	DESCRIPTION	QTY	SIZE	MATERIAL	NOTES
39	009-000-76	Earth Terminal 115V-60Hz(USA)	1Set	AWG10x250L (Yellow/Green)		
	009-000-77	Earth Terminal 230V-60Hz(USA)	1Set	AWG14x250L (Yellow/Green)		
40	050-000-53	Motor Bracket	1		ADC	
41	142-195-19	Wave Washer	2	6204/6303(d47x,0.3t)	SK5	
42	052-187-16	Bearing (w/O-ring)	1	AC-6204ZZC3		
43	055-001-36	Rotor	1Set	w/Bearing		
44	147-000-34	Impeller Key	1	5x5x20L	SUS403	
45	052-108-13	Bearing	1	6305ZZC3		
46	122-139-13	O-Ring	1	G-140(139.4xd3.1)	NBR	*
47	121-001-00	Packing	1	d132xd139x2t	NBR	*
48		Stator(w/M.Frame) 115V-60Hz(USA)	1Set			
		Stator(w/M.Frame) 230V-60Hz(USA)	1Set			
49	025-243-17	Mechanical Seal	1	H-20T	SIC	substitute for 025-000-06; H-20T(E)
50	030-144-13	Oil Lifter	1	H-20(A)(T)	Resin	
51	143-070-23	Pan Screw	2	M5x6	SWRM	
52	143-070-10	Pan Screw	2	M5x6	SWRM	
53	030-155-17	Seal Stopper	1	H-20(KTV2)	SPCC	
54	122-135-19	O-Ring	1	G-120(119.4xd3.1)	NBR	*
55	122-172-18	O-Ring	1	V-175(173xd4)	NBR	*
56	029-000-69	Oil Casing	1		FC	
57	121-246-11	Packing	1	d10.3xd16x2t	PE	*
58	035-124-12	Oil Plug	1	M10x15	SUS304	
59	140-257-14	Hex.Socket Cap Bolt	3	M6x40	SUS304	
60	122-443-13	V-Ring	1	VR-20	NBR	
61	071-297-19	Shaft Sleeve	1	d16xd20x10l	SUS304	
62	031-000-13	Wear Ring	1	LB-1500	BR+NR	
63	040-000-09	Impeller Washer		d16.2xd26x0.3t	SUS304	
64	021-007-01	Impeller (60Hz)	1	LB-1500-60	HiCrFC	
65	142-165-10	Spring Washer	1	M12	SUS304	
66	141-032-14	Hex.Cap Nut	1	M12	SUS304	
67	020-002-05	Pump Casing	1	LB-1500	BR+NR	
68	144-000-40	Stud Bolt	3	M8x88(13/21)	SUS403	
69	023-000-76	Strainer Stand	1	LB-1500	SPC	
70	141-005-18	Hex.Nut	3	M8	SUS304	
	173-001-59	Packing O-Ring Set	1Set	(Marked by *)		
7	121-001-09	Packing (Hose Coupling)	1	KTV2-15/22	NBR	*
20	142-337-15	Seal Washer (Head Cover Bolt)	4	SM-8	SUS+NBR	*
22	122-172-18	O-Ring (Out.Cover/Head Cover)	1	V-175(173xd4)	NBR	*
24	122-119-17	O-Ring (P.Head Cover/M.Head Cover)	1	G-40(39.4xd3.1)	NBR	*
46	122-139-13	O-Ring (M.Head Cover/M.Frame)	1	G-140(139.4xd3.1)	NBR	*
47	121-001-00	Packing (M.Head Cover/M.Bracket)	1	d132xd139x2t	NBR	*
54	122-135-19	O-Ring (M.Frame/O.Casing)	1	G-120(119.4xd3.1)	NBR	*
55	122-172-18	O-Ring (Out.Cover/O.Casing)	1	V-175(173xd4)	NBR	*

PARTS LIST		CONTRACTOR DEWATERING PUMP			11/8/2019	
ITEM	PART No.	DESCRIPTION	QTY	SIZE	MATERIAL	NOTES
57	121-246-11	Packing (Oil Plug)	1	d10.3xd16x2t	PE	*
		Lubricant	370ml	Turbine Oil	VG32	

EXPLODED VIEW

LB-1500-60



* Indicates items included in set



MODEL LB-1500-60

PARTS LIST		CONTRACTOR DEWATERING PUMP				11/8/2019
ITEM	PART No.	DESCRIPTION	QTY	SIZE	MATERIAL	NOTES

管理no. C-00850-2