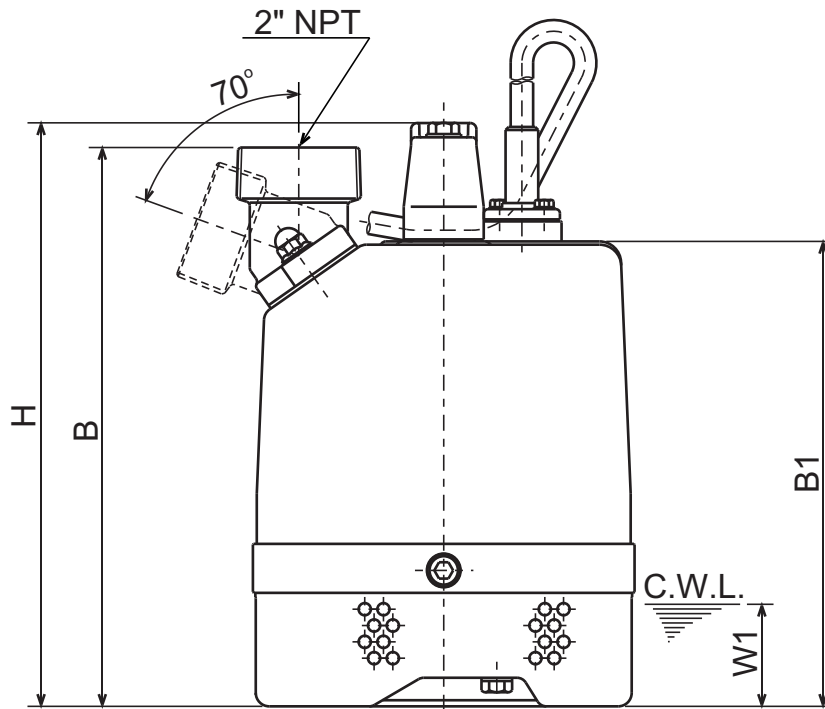
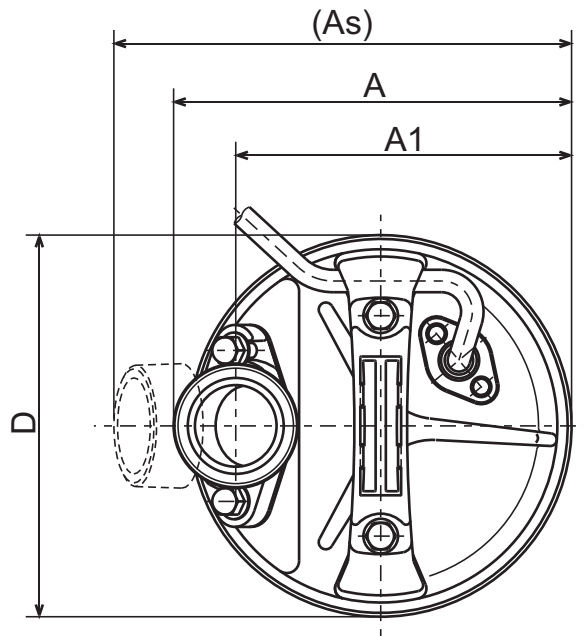




LB - SERIES
SEMI-VORTEX - DEWATERING PUMP

DIMENSIONS

LB-480-62



C.W.L. : Continuous running Water Level

DIMENSIONS:USCS (Inch)

Model	HP	NOM. SIZE	Pump & Motor							C.W.L. W1	Wt. (lbs.)
			A	As	A1	B	B1	D	H		
LB-480-62	2/3	2"	7 11/16	8 13/16	6 1/2	10 3/4	8 15/16	7 3/8	11 1/4	2	21

DIMENSIONS:METRIC (mm)

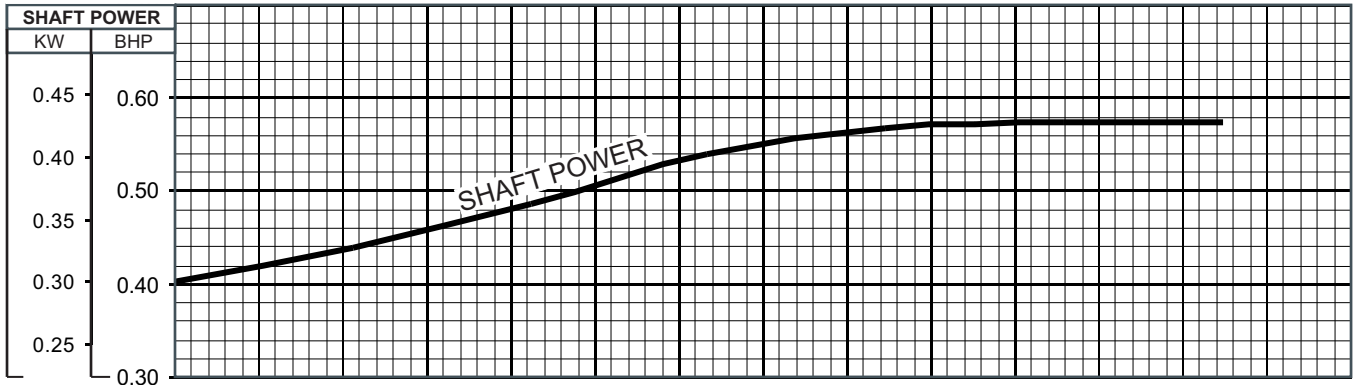
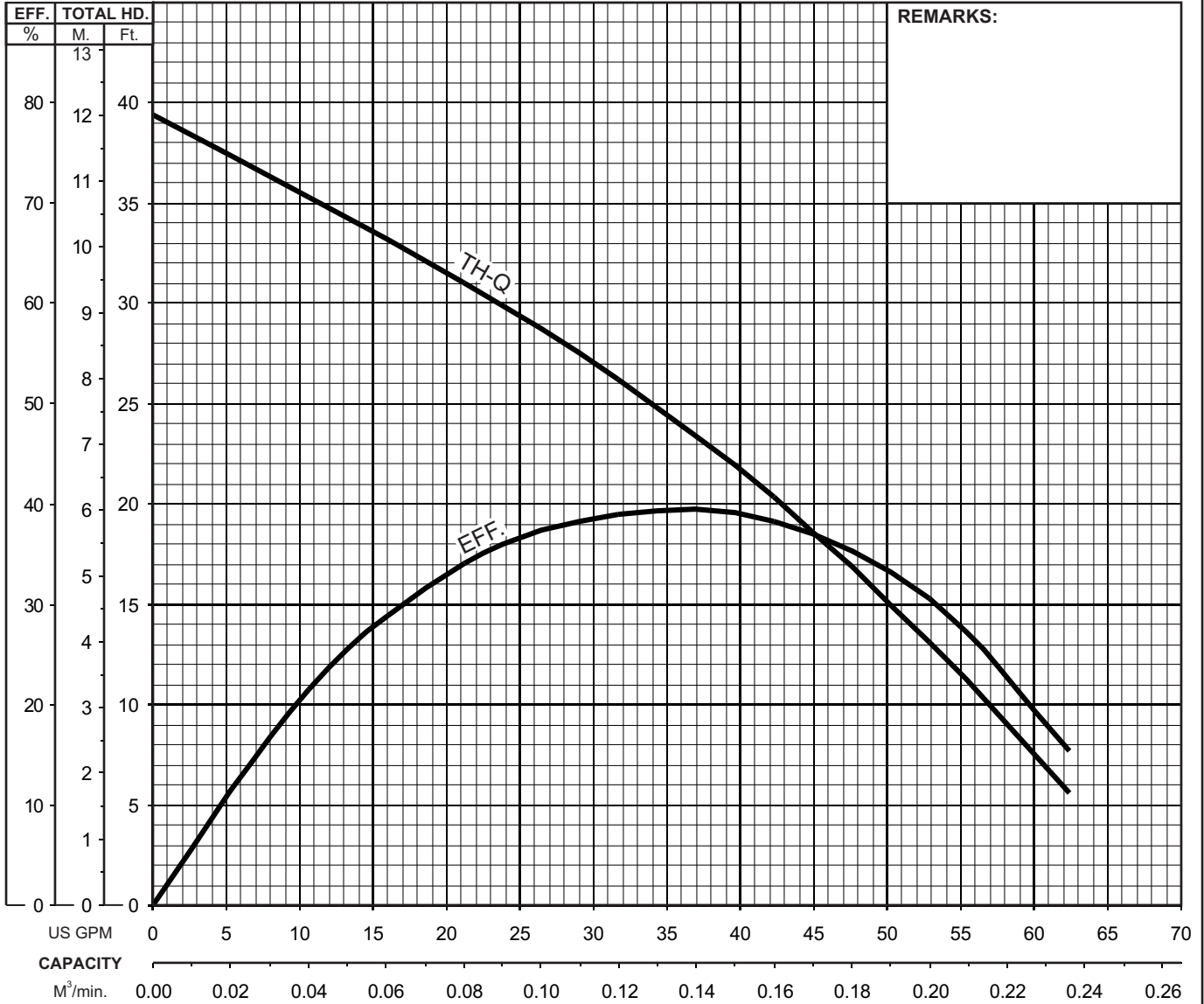
Model	kW	NOM. SIZE	Pump & Motor							C.W.L. W1	Wt. (kg)
			A	As	A1	B	B1	D	H		
LB-480-62	0.48	50	195	224	165	274	228	187	286	50	9.5

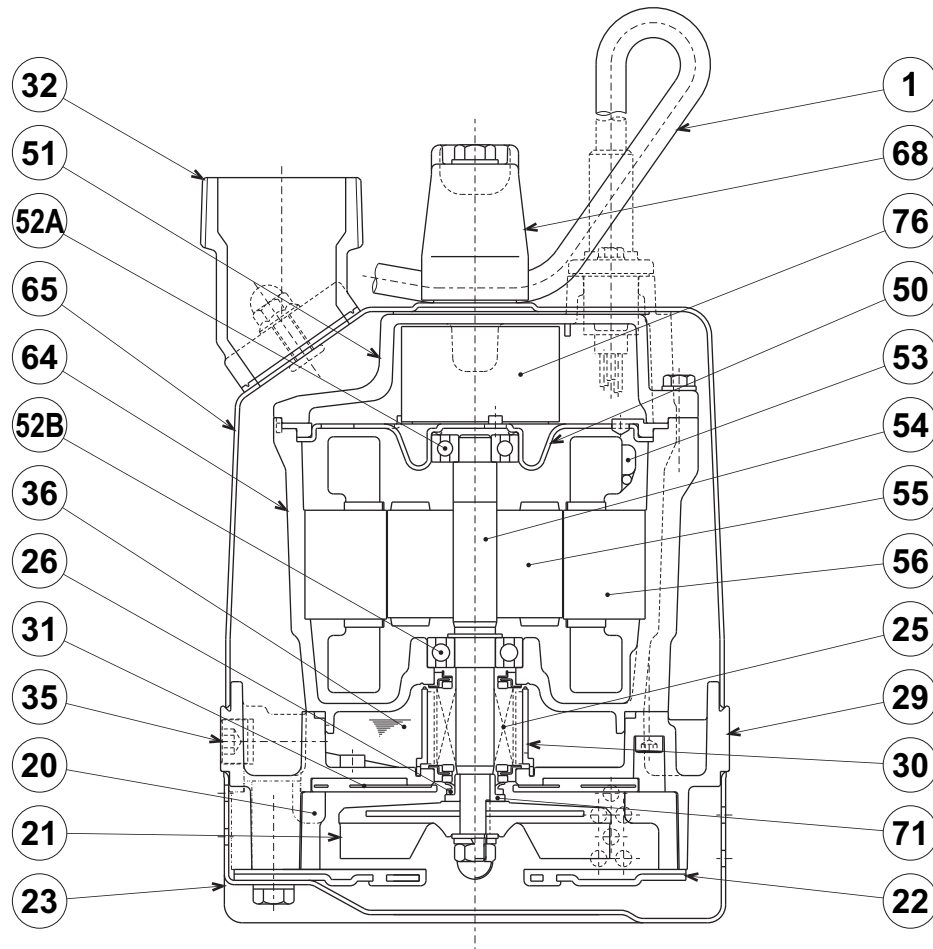


LB - SERIES SEMI-VORTEX - DEWATERING PUMP

PERFORMANCE CURVE

MODEL	BORE	HP	KW	RPM	SOLIDS DIA	LIQUID	SG.	VISCOSITY	TEMP.
LB(Z)-480(A)-62	2"/50mm	0.64	0.48	3255	0.236"/6mm	Water	1.0	1.123 cSt.	60°F
PUMP TYPE		PHASE	VOLTAGE	AMPERAGE	HZ	STARTING METHOD	INS. CLASS		
Semi-Vortex - Dewatering Pump		Single	110/115/120, 230	6.1 / 5.9 / 5.7 , 3.0	60	Capacitor Start	E		
CURVE No.	DATE	PHASE	VOLTAGE	AMPERAGE	HZ	STARTING METHOD	INS. CLASS		
-	-	-	-	-	-	-	-		



LB-480-62


ITEM#	DESCRIPTION	MAIN MATERIAL / NOTE	RELATED ASTM, AISI CODE	RELATED EN CODE	Q'TY
1	Power Cable	PVC Sheath AWG16/3-32ft			1
20	Pump Casing	Ethylene Propylene Rubber			1
21	Impeller	Urethane Rubber			1
22	Suction Cover	Urethane Rubber + Steel (Cold Rolled)	(A109/A1008)	(EN 10130)	1
23	Suction Strainer	Steel (Cold Rolled)	A109/A1008	EN 10130	1
25	Mechanical Seal	Silicon Carbide / W-14VL			1
26	V-Ring	Nitrile Butadiene Rubber			1
29	Oil Casing	Aluminum Alloy Die Casting	B85 383.0	EN 1706 AC-46100	1
30	Oil Lifter	PBT Resin			1
31	Wearing Plate	Urethane Rubber			1
32	Discharge Connection	Aluminum Alloy Die Casting / NPT 2"	B85 383.0	EN 1706 AC-46100	1
35	Oil Plug	Stainless Steel	S 30400	1.4301	1
36	Lubricant	Turbine Oil ISO VG32 or SAE10W-20			
50	Motor Bracket	Steel (Electro-Galvanized)	A591	EN 10152	1
51	Motor Head Cover	Aluminum Alloy Die Casting	B85 383.0	EN 1706 AC-46100	1
52A	Upper Bearing	#6201ZZC3			1
52B	Lower Bearing	#6202ZZC3			1
53	Motor Protector				1
54	Shaft	Stainless Steel	S 40300	1.4000	1
55	Rotor				1
56	Stator				1
64	Motor Housing	Aluminum Alloy Die Casting	B85 383.0	EN 1706 AC-46100	1
65	Outer Cover	Steel (Cold Rolled)	A109/A1008	EN 10130	1
68	Handle	ABS Resin			1
71	Shaft Sleeve	Stainless Steel	S 30400	1.4301	1
76	Capacitor				1

PARTS LIST		PORTABLE DEWATERING PUMP			7/30/2019	
ITEM	PART No.	DESCRIPTION	QTY	SIZE	MATERIAL	NOTES
1	001-943-23	Cabtyre Cable Set (32') 110V-60Hz	1	STOW3x1.25mm2(CS A)	LB	
		Cabtyre Cable Set (32') 220V-60Hz	1			
2	140-427-17	Hex.Bolt (w/Plain Washer)	2	M5x15	SUS304	
3	003-190-10	Gland	1		SUS316	
4	140-000-13	Hex.Bolt (w/Plain Washer)	2	M8x65	SUS304	
5	068-000-06	Handle	1	LB-250/480-52/62	Resin	
6	032-426-18	Hose Coupling 2"	1	NPT-2(LB-480-51/61)	ADC	
	032-000-75	Hose Coupling 3" OPTIONAL	1	NPT-3	ADC	3" OPTION
7	121-587-17	Packing	1	LB-250/480-51/61	NBR	*
8	141-144-10	Hex.Nut (w/Flange)	2	M8	SUS304	
9	065-382-13	Outer Cover	1	LB-250/480-51/61	SPC	
10	122-453-16	O-Ring	1	172xd2.7	NBR	*
11	121-434-18	Packing	1	LB3-250/480	Synthetic Rubber	*
12	140-396-16	Hex.Bolt (w/Plain Washer)	3	M6x20	SUS304	
13	051-282-19	Head Cover	1		ADC	
14	121-546-14	Packing	1	d120xd142x6.2t	NBR	*
15	076-159-13	Capacitor 110V 60Hz	1	270VAC(three terminals)		
15	076-162-19	Capacitor 220V 60Hz	1	500VAC(three terminals)		
16	143-203-14	Pan Screw	1	M4x5	C360	
17	050-486-12	Motor Bracket	1		SECD	
18	142-192-16	Wave Washer	1	6201(D=32,t=0.4)	SK5	
19	052-100-15	Bearing	1	6201ZZC3		
20	055-889-14	Rotor	1Set	w/Bearing		
21	061-180-17	Bearing Collar	1	d15.1xd20x1.6t	SS	
22	052-101-16	Bearing	1	6202ZZC3		
23	056-C67-13	Stator 110V-60Hz (USA)	1Set	w/Miniature Protector		
	056-009-39	Stator 220V-60Hz (USA)	1Set	w/Miniature Protector		replaces OLD part# 056-C69-15
24	064-508-14	Motor Frame	1		ADC	
25	122-133-17	O-Ring	1	G-110(109.4xd3.1)	NBR	*
26	025-291-10	Mechanical Seal	1	W-14VL	SSiC	
27	030-000-09	Oil Lifter	1	W-14VL	Resin	
28	029-000-70	Oil Casing	1	LB-250/480-51/61	ADC	
29	035-124-12	Oil Plug	1	M10x15	SUS304	
30	121-246-11	Packing	1	d10.3xd16x2t	PE	*

* Indicates items included in set

PARTS LIST		PORTABLE DEWATERING PUMP			7/30/2019	
ITEM	PART No.	DESCRIPTION	QTY	SIZE	MATERIAL	NOTES
31	140-252-19	Hex.Socket Cap Bolt	3	M6x20	SUS304	
32	122-441-11	V-Ring	1	VR-14	NBR	
33	071-292-14	Shaft Sleeve	1	LB3-250/480	SUS304	
34	031-000-01	Wear Ring	1	LB-250/480-51/61	SPC+Rubber	
35	021-007-44	Impeller (60Hz)	1	LB-480-62(For 60Hz)	Urethane Rubber	
36	142-127-10	Plain Washer	1	M8	SUS304	
37	142-163-18	Spring Washer	1	M8	SUS304	
38	141-030-12	Hex.Cap Nut	1	M8	SUS304	
39	020B8919	Pump Casing	1	LB-250/480-51/61	Synthetic Rubber	
40	022-001-28	Suction Cover	1	LB-250/480-52/62	SPC+Rubber	
41	023-547-18	Strainer Stand	1	LB-250/480-51/61	SPCC	
42	140-000-14	Hex.Bolt (w/Plain Washer)	3	M8x20	SUS304	
	173-567-12	Packing O-Ring Set	1Set	(Marked by *)		
7	121-587-17	Packing (Hose Coupling)	1	LB-250/480-51/61	NBR	*
10	122-453-16	O-Ring (Out.Cover/O.Casing)	1	172xd2.7	NBR	*
11	121-434-18	Packing (Out.Cover/Head Cover)	1	LB3-250/480	Synthetic Rubber	*
14	121-546-14	Packing (Head Cover/M.Frame)	1	d120xd142x6.2t	NBR	*
25	122-133-17	O-Ring (M.Frame/M.Bracket)	1	G-110(109.4xd3.1)	NBR	*
30	121-246-11	Packing (Oil Plug)	1	d10.3xd16x2t	PE	*
		Lubricant		Turbine Oil VG32 155ml		

PARTS LIST		PORTABLE DEWATERING PUMP				7/30/2019
ITEM	PART No.	DESCRIPTION	QTY	SIZE	MATERIAL	NOTES

EXPLODED VIEW

LB-250/480-52/62
LB-250/480-53/63

