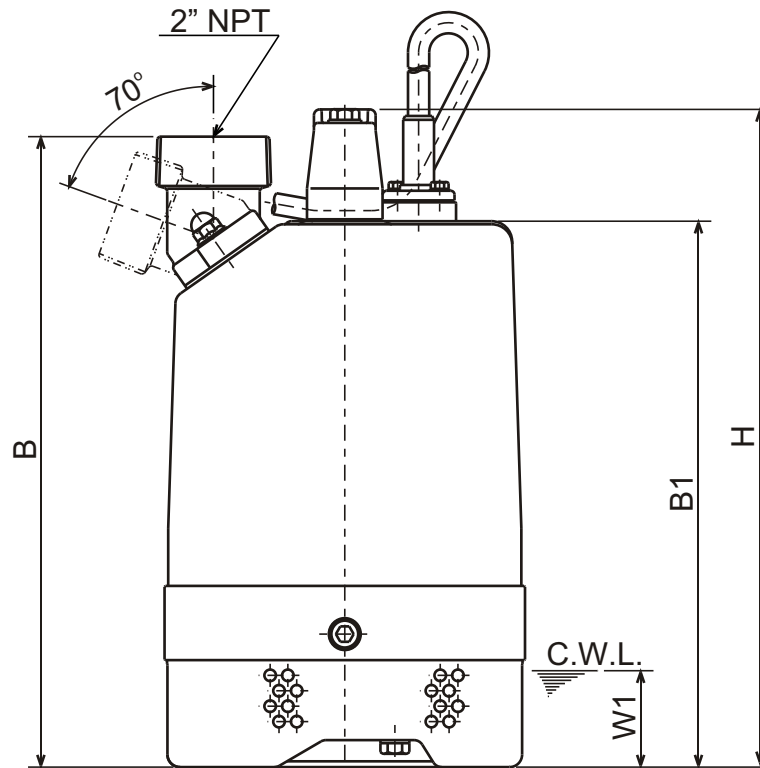
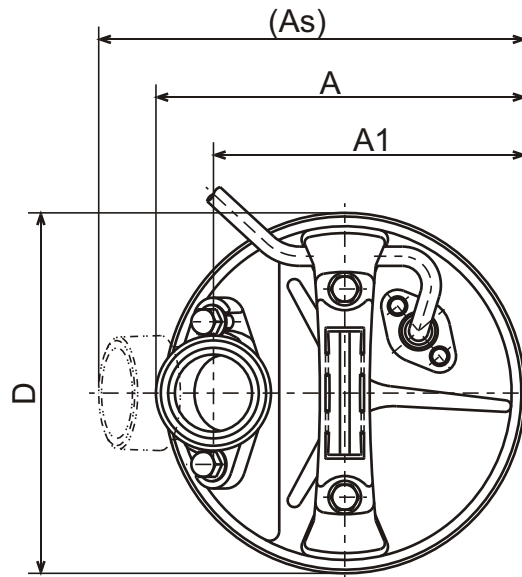




LB - SERIES
SEMI-VORTEX - DEWATERING PUMP

DIMENSIONS

LB-800-62
LBT-800-61



C.W.L. : Continuous running Water Level

DIMENSIONS :USCS (Inch)

Model	HP	NOM. SIZE	Pump & Motor								C.W.L.	Wt. (lbs.)
			A	As	A1	B	B1	D	H	W1		
LB-800-62	1	2"	7 9/16	8 11/16	6 3/8	12 7/8	11 1/8	7 3/8	13 7/16	2	29	
LBT-800-61	1	2"	7 9/16	8 11/16	6 3/8	12 7/8	11 1/8	7 3/8	13 7/16	2	28	

DIMENSIONS :METRIC (mm)

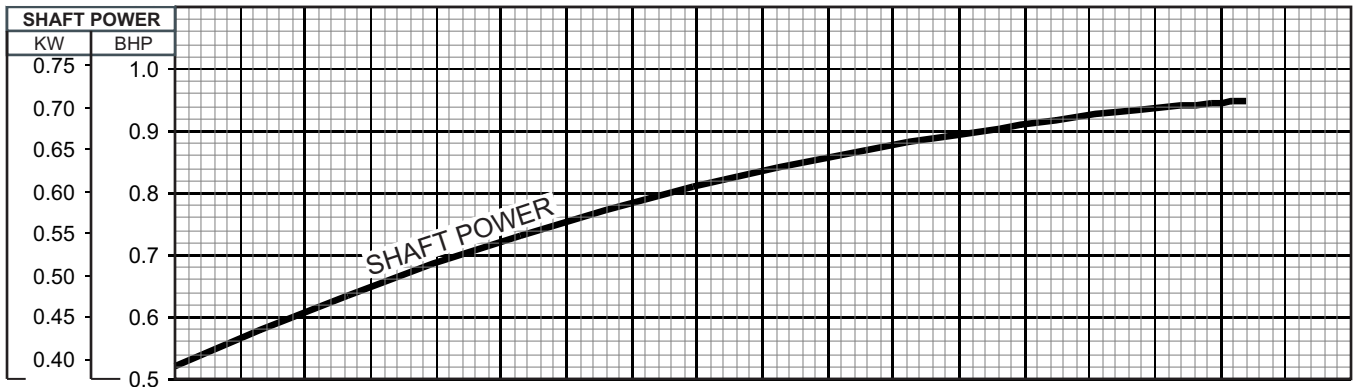
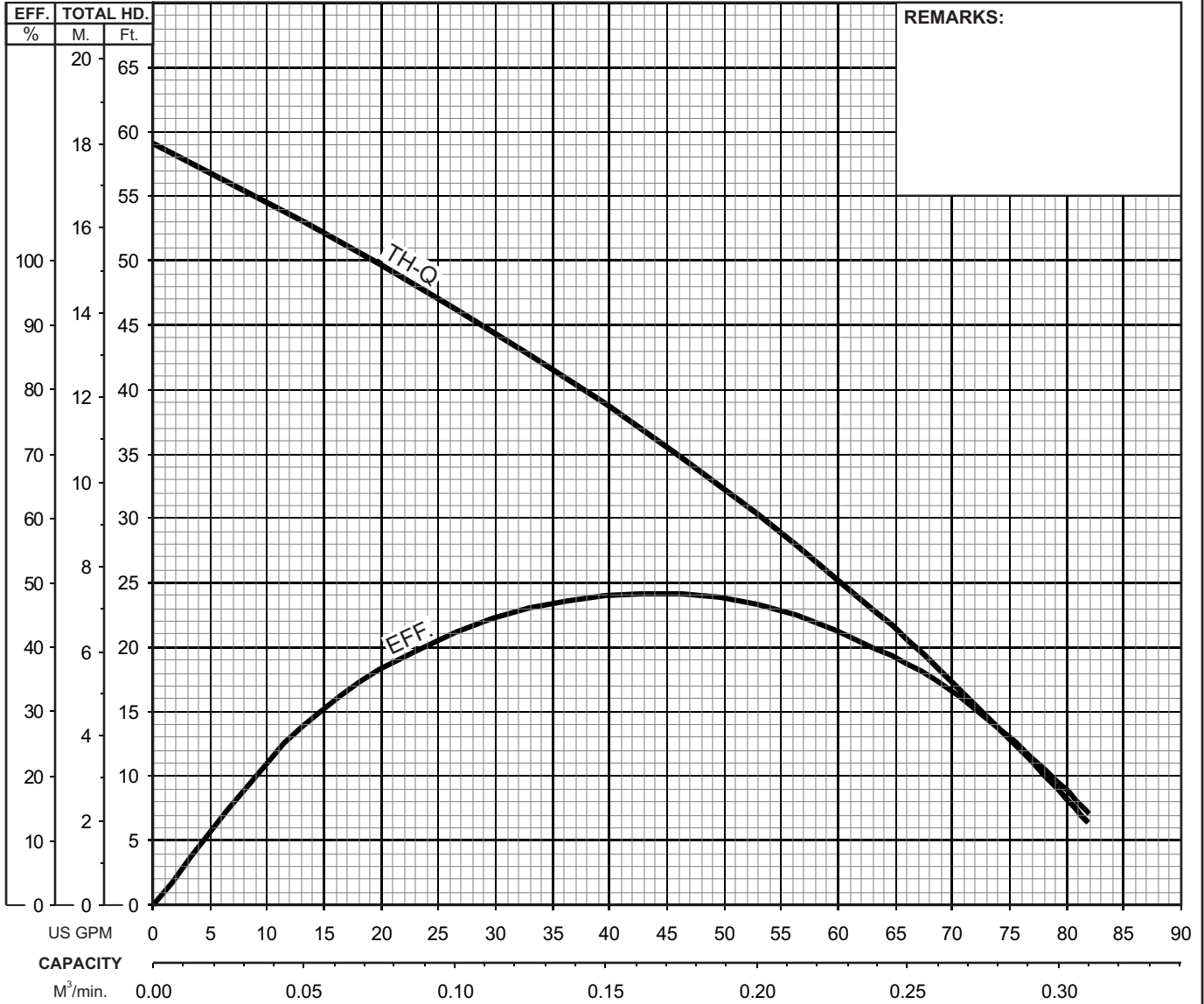
Model	kW	NOM. SIZE	Pump & Motor								C.W.L.	Wt. (kg)
			A	As	A1	B	B1	D	H	W1		
LB-800-62	0.75	50	192	221	162	327	283	187	341	50	13.1	
LBT-800-61	0.75	50	192	221	162	327	283	187	341	50	12.8	

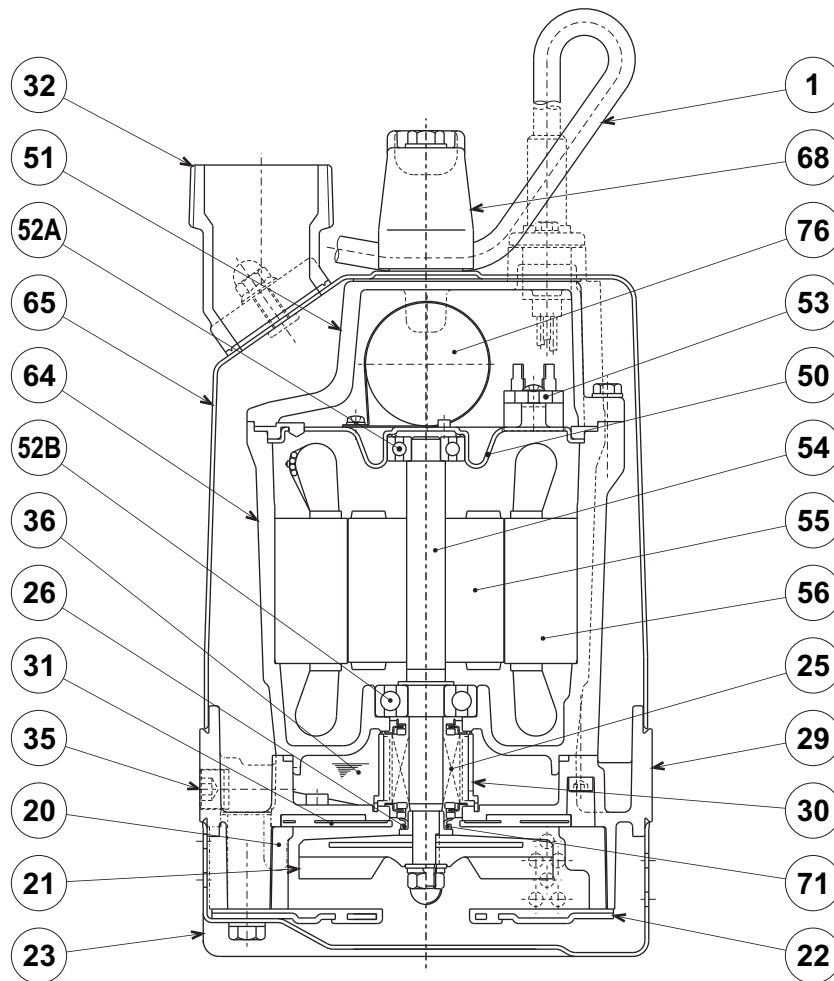


LB - SERIES SEMI-VORTEX - DEWATERING PUMP

PERFORMANCE CURVE

MODEL	BORE	HP	KW	RPM	SOLIDS DIA	LIQUID	SG.	VISCOSITY	TEMP.
LB(Z)-800(A)-62	2"/50mm	1	0.75	3316	0.236"/6mm	Water	1.0	1.123 cSt.	60°F
PUMP TYPE	PHASE	VOLTAGE	AMPERAGE	HZ	STARTING METHOD	INS. CLASS			
Semi-Vortex - Dewatering Pump	Single	110/115, 220/230	10.8 / 10.5 , 5.4 / 5.2	60	Capacitor Start	E			
CURVE No.	DATE	PHASE	VOLTAGE	AMPERAGE	HZ	STARTING METHOD	INS. CLASS		
-	-	-	-	-	-	-	-		



**TSURUMI PUMP**
LB - SERIES
SEMI-VORTEX - DEWATERING PUMP
SECTIONAL VIEW**LB-800-62**

ITEM#	DESCRIPTION	MAIN MATERIAL / NOTE	RELATED ASTM, AISI CODE	RELATED EN CODE	Q'TY
1	Power Cable	PVC Sheath AWG14/3-50ft			1
20	Pump Casing	Butadiene Rubber + Natural Rubber			1
21	Impeller	Urethane Rubber			1
22	Suction Cover	Urethane Rubber + Steel (Cold Rolled)	(A109/A1008)	(EN 10130)	1
23	Suction Strainer	Steel (Cold Rolled)	A109/A1008	EN 10130	1
25	Mechanical Seal	Silicon Carbide / W-14VL			1
26	V-Ring	Nitrile Butadiene Rubber			1
29	Oil Casing	Aluminum Alloy Die Casting	B85 383.0	EN 1706 AC-46100	1
30	Oil Lifter	PBT Resin			1
31	Wearing Plate	Urethane Rubber			1
32	Discharge Connection	Aluminum Alloy Die Casting / NPT 2"	B85 383.0	EN 1706 AC-46100	1
35	Oil Plug	Stainless Steel	S 30400	1.4301	1
36	Lubricant	Turbine Oil ISO VG32 or SAE10W-20			
50	Motor Bracket	Steel (Electro-Galvanized)	A591	EN 10152	1
51	Motor Head Cover	Aluminum Alloy Die Casting	B85 383.0	EN 1706 AC-46100	1
52A	Upper Bearing	#6201ZZC3			1
52B	Lower Bearing	#6302ZZC3			1
53	Motor Protector				1
54	Shaft	Stainless Steel	S 40300	1.4000	1
55	Rotor				1
56	Stator				1
64	Motor Housing	Aluminum Alloy Die Casting	B85 383.0	EN 1706 AC-46100	1
65	Outer Cover	Steel (Cold Rolled)	A109/A1008	EN 10130	1
68	Handle	ABS Resin			1
71	Shaft Sleeve	Stainless Steel	S 30400	1.4301	1
76	Capacitor				1

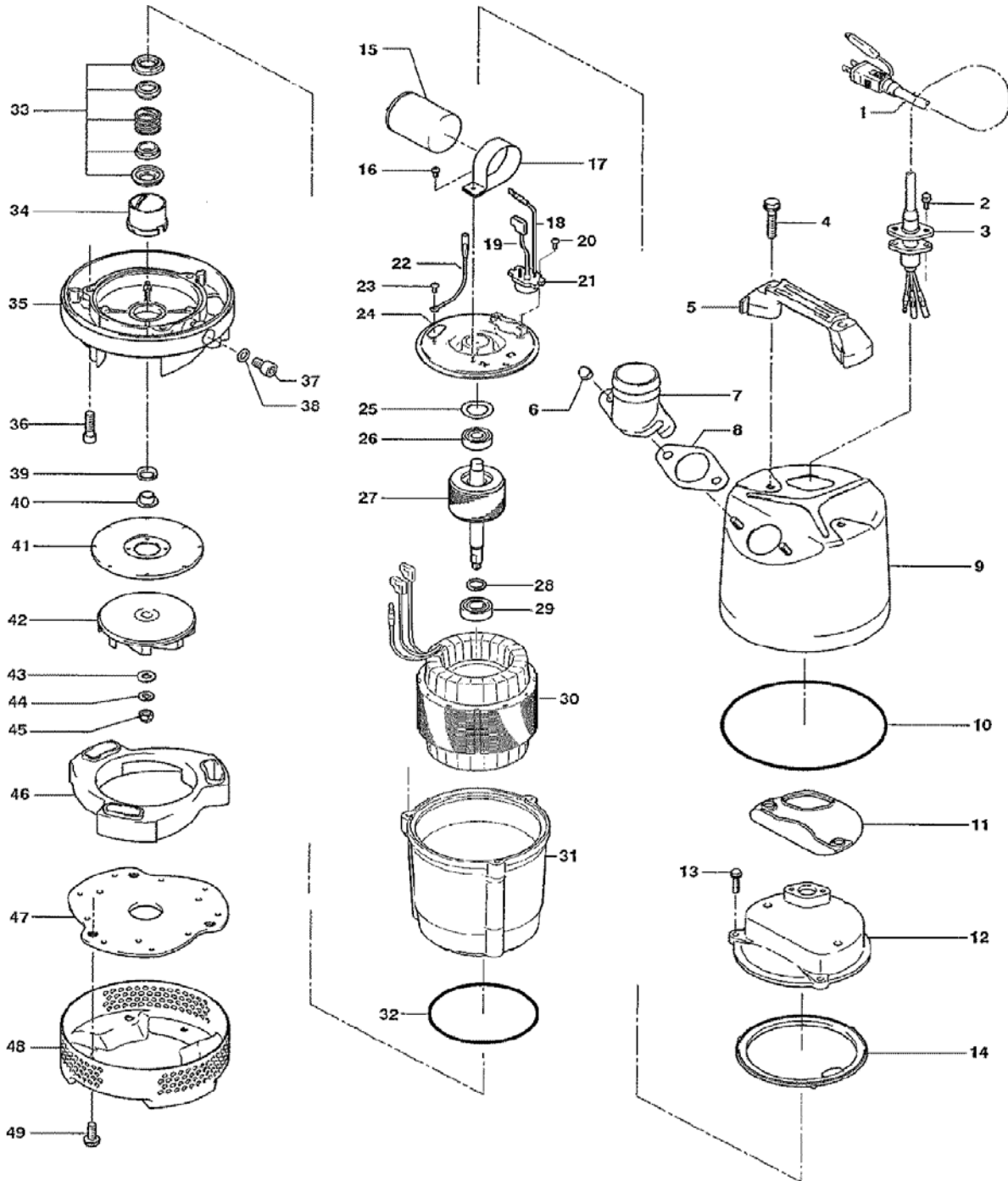
PARTS LIST		CONTRACTOR DEWATERING PUMP				3/17/2017
ITEM	PART No.	DESCRIPTION	QTY	SIZE	MATERIAL	NOTES
1	001-471-25	Cabtyre Cable Set (50')115V-60Hz(USA)	1	VCT3Cx2mm2(CSA)	LB	
	001-443-44	Cabtyre Cable Set (50')230V-60Hz(USA)	1	VCT3Cx2mm2	LB	
2	140-427-17	Hex.Bolt (w/Plain Washer)	2	M5x15	SUS304	
3	003-190-10	Gland	1		SUS316	
4	140-000-13	Hex.Bolt (w/Plain Washer)	2	M8x65	SUS304	
5	068-000-06	Handle	1	LB-250/480-52/62	Resin	
6	141-144-10	Hex.Nut (w/Flange)	2	M8	SUS304	
7	032-426-18	Hose Coupling 2"	1	NPT-2(LB-480-51/61)	ADC	
	032-000-75	Hose Coupling 3" OPTION	1	NPT-3	ADC	3" OPTION
8	121-587-17	Packing	1	LB-250/480-51/61	NBR	*
9	065-000-22	Outer Cover	1		SPC	
10	122-453-16	O-Ring	1	172xd2.7	NBR	*
11	121-434-18	Packing	1	LB3-250/480	Synthetic Rubber	*
12	051-000-55	Head Cover	1		ADC	
13	140-396-16	Hex.Bolt (w/Plain Washer)	3	M6x20	SUS304	
14	121-546-14	Packing	1	d120xd142x6.2t	NBR	*
15	076-000-47	Capacitor 115V-60Hz(USA)	1	66MF-270VAC(d51x70L)		
	076-000-48	Capacitor 230V-60Hz(USA)	1	20MF-500VAC(d51x70L)		
16	143-085-21	Pan Screw (w/Spring Washer)(1st)	1	M4x6	SWRM	
	143-086-22	Pan Screw (w/Spring Washer)(2nd)	1	M4x8	SWRM	
17	127-000-46	Capacitor Fixing Plate(1st)	1	d51(0.5t)	SPC	
	127-000-99	Capacitor Fixing Plate(2nd)	1	d51(1.0t)	SPC	
18	009-001-03	Intermediate Lead Wire	1Set	AWG16x160(red)		
19	009-001-42	Intermediate Lead Wire	1Set	AWG16x80(Indigo)		
20	143-000-43	Truss Screw	2	M4x8	SWRM	
21	053-001-96	Motor Protector 115V-60Hz(USA)	1	KA142-LABL22F	(T.C)	
	053-002-00	Motor Protector 230V-60Hz(USA)	1	KA142-LYVL22F	(T.C)	
22	009-001-02	Earth Terminal	1Set	UL1015-AWG18,G/Y,L=160		
23	143-203-14	Pan Screw	1	M4x5	C360	
24	050-000-61	Motor Bracket	1		SECD	
25	142-000-41	Wave Washer	1	#6201(T=0.4)	S65CM	
26	052-100-15	Bearing	1	6201ZZC3		
27	055-002-98	Rotor	1Set	w/Bearing		
28	061-180-17	Bearing Collar	1	d15.1xd20x1.6t	SS	
29	052-152-12	Bearing	1	6302ZZC3		
30	056-008-25	Stator 115V-60Hz(USA)	1Set			
	056-008-26	Stator 230V-60Hz(USA)	1Set			
31	064-001-27	Motor Frame	1		ADC	

PARTS LIST		CONTRACTOR DEWATERING PUMP			3/17/2017	
ITEM	PART No.	DESCRIPTION	QTY	SIZE	MATERIAL	NOTES
32	122-133-17	O-Ring	1	G-110(109.4xd3.1)	NBR	*
33	025-291-10	Mechanical Seal	1	W-14VL	SSIC	
34	030-000-09	Oil Lifter	1	W-14VL	Resin	
35	029-000-72	Oil Casing	1	LB-750-51/61	ADC	
36	140-252-19	Hex.Socket Cap Bolt	3	M6x20	SUS304	
37	035-124-12	Oil Plug	1	M10x15	SUS304	
38	121-246-11	Packing	1	d10.3xd16x2t	PE	*
39	122-441-11	V-Ring	1	VR-14	NBR	
40	071-292-14	Shaft Sleeve	1	LB3-250/480	SUS304	
41	031-000-12	Wear Ring	1	LSC1.4S-51/61	SPC+Rubber	
42	021-007-56	Impeller (60Hz)	1	LB-800-62	Urethane Rubber	
43	142-127-10	Plain Washer	1	M8	SUS304	
44	142-163-18	Spring Washer	1	M8	SUS304	
45	141-030-12	Hex.Cap Nut	1	M8	SUS304	
46	020-000-43	Pump Casing	1	LB-750	BR+NR	
47	022-001-27	Suction Cover	1	LSC1.4S-51/61	SPC+Rubber	
48	023-547-18	Strainer Stand	1	LB-250/480-51/61	SPCC	
49	140-000-14	Hex.Bolt (w/Plain Washer)	3	M8x20	SUS304	
	173-567-12	Packing O-Ring Set	1Set	(Marked by *)		
8	121-587-17	Packing (Hose Coupling)	1	LB-250/480-51/61	NBR	*
10	122-453-16	O-Ring (Out.Cover/O.Casing)	1	172xd2.7	NBR	*
11	121-434-18	Packing (Out.Cover/Head Cover)	1	LB3-250/480	Synthetic Rubber	*
14	121-546-14	Packing (Head Cover/M.Frame)	1	d120xd142x6.2t	NBR	*
32	122-133-17	O-Ring (M.Frame/O.Casing)	1	G-110(109.4xd3.1)	NBR	*
38	121-246-11	Packing (Oil Plug)	1	d10.3xd16x2t	PE	*
		Lubricant		Turbine Oil VG32 155ml		

PARTS LIST		CONTRACTOR DEWATERING PUMP				3/17/2017
ITEM	PART No.	DESCRIPTION	QTY	SIZE	MATERIAL	NOTES

EXPLODED VIEW

LB-800-52/62



C-01572-1