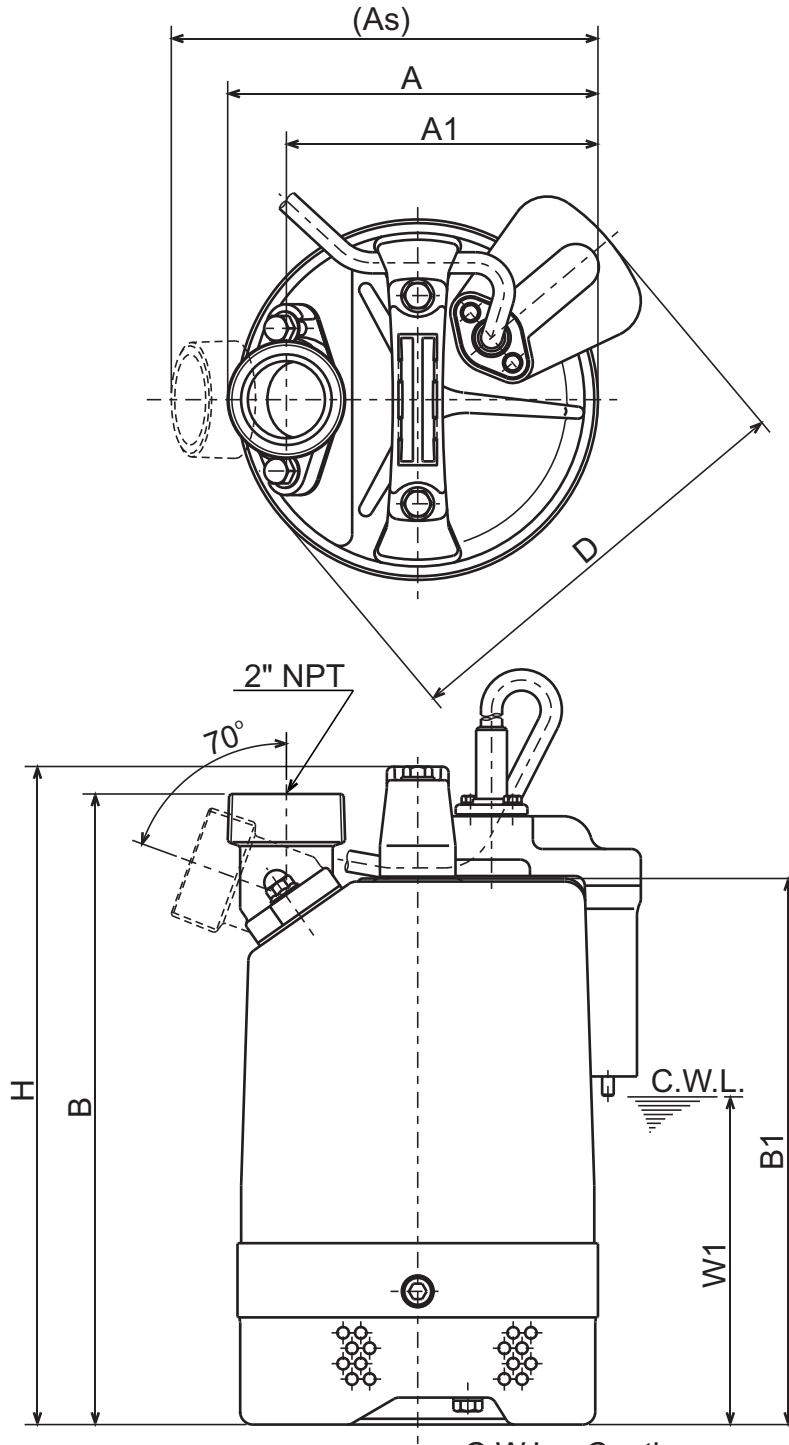




LB - SERIES
SEMI-VORTEX - DEWATERING PUMP (AUTO-TYPE)

DIMENSIONS

LB-800A-62



C.W.L. : Continuous running Water Level

DIMENSIONS:USCS (Inch)

Model	HP	NOM. SIZE	Pump & Motor								C.W.L. W1	Wt. (lbs.)
			A	As	A1	B	B1	D	H			
LB-800A-62	1	2"	7 9/16	8 11/16	6 3/8	12 7/8	11 1/8	8 3/4	13 7/16	6 3/4	30	

DIMENSIONS:METRIC (mm)

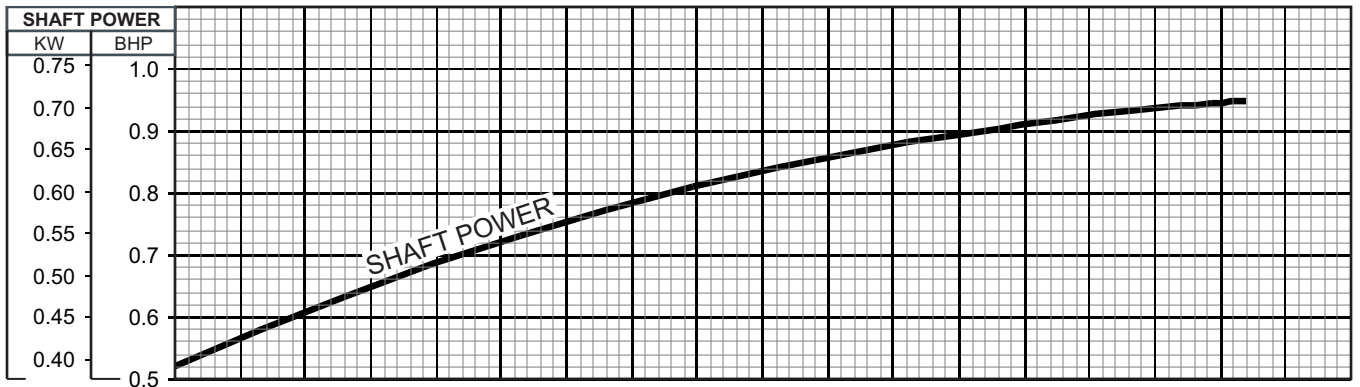
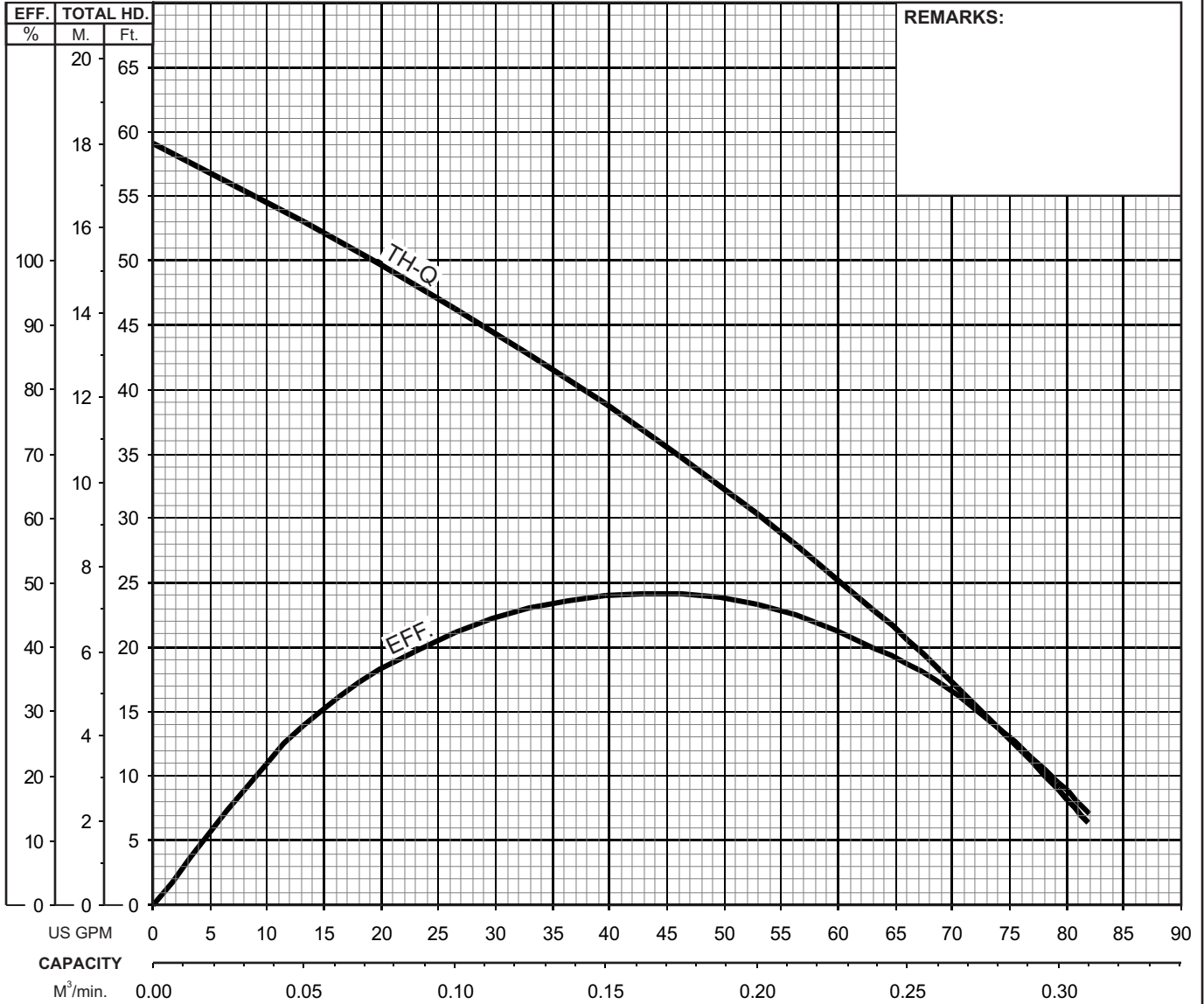
Model	kW	NOM. SIZE	Pump & Motor								C.W.L. W1	Wt. (kg)
			A	As	A1	B	B1	D	H			
LB-800A-62	0.75	50	192	221	162	327	283	223	341	170	13.7	

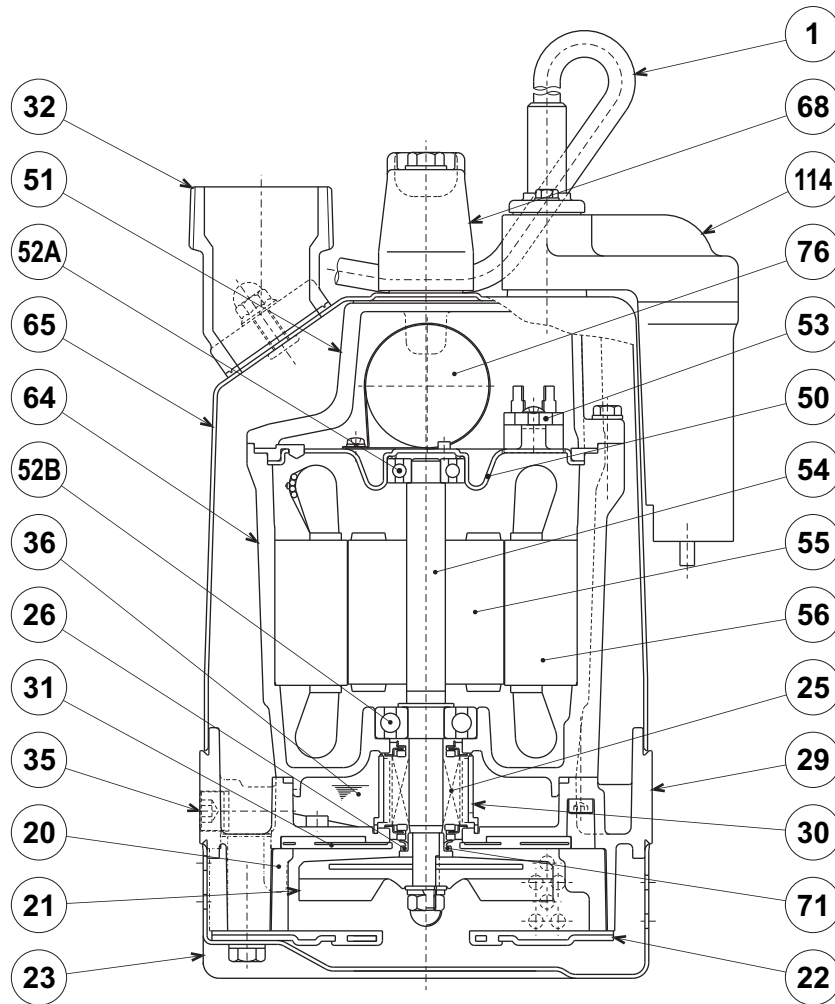


LB - SERIES SEMI-VORTEX - DEWATERING PUMP

PERFORMANCE CURVE

MODEL	BORE	HP	KW	RPM	SOLIDS DIA	LIQUID	SG.	VISCOSITY	TEMP.
LB(Z)-800(A)-62	2"/50mm	1	0.75	3316	0.236"/6mm	Water	1.0	1.123 cSt.	60°F
PUMP TYPE		PHASE	VOLTAGE	AMPERAGE		HZ	STARTING METHOD		INS. CLASS
Semi-Vortex - Dewatering Pump		Single	110/115, 220/230	10.8 / 10.5 , 5.4 / 5.2		60	Capacitor Start		E
CURVE No.	DATE	PHASE	VOLTAGE	AMPERAGE		HZ	STARTING METHOD		INS. CLASS
-	-	-	-	-		-	-		-




LB-800A-62

ITEM#	DESCRIPTION	MAIN MATERIAL / NOTE	RELATED ASTM, AISI CODE	RELATED EN CODE	Q'TY
1	Power Cable	PVC Sheath AWG14/3-50ft			1
20	Pump Casing	Butadiene Rubber + Natural Rubber			1
21	Impeller	Urethane Rubber			1
22	Suction Cover	Urethane Rubber + Steel (Cold Rolled)	(A109/A1008)	(EN 10130)	1
23	Suction Strainer	Steel (Cold Rolled)	A109/A1008	EN 10130	1
25	Mechanical Seal	Silicon Carbide / W-14VL			1
26	V-Ring	Nitrile Butadiene Rubber			1
29	Oil Casing	Aluminum Alloy Die Casting	B85 383.0	EN 1706 AC-46100	1
30	Oil Lifter	PBT Resin			1
31	Wearing Plate	Urethane Rubber			1
32	Discharge Connection	Aluminum Alloy Die Casting / NPT 2"	B85 383.0	EN 1706 AC-46100	1
35	Oil Plug	Stainless Steel	S 30400	1.4301	1
36	Lubricant	Turbine Oil ISO VG32 or SAE10W-20			
50	Motor Bracket	Steel (Electro-Galvanized)	A591	EN 10152	1
51	Motor Head Cover	Aluminum Alloy Die Casting	B85 383.0	EN 1706 AC-46100	1
52A	Upper Bearing	#6201ZZC3			1
52B	Lower Bearing	#6302ZZC3			1
53	Motor Protector				1
54	Shaft	Stainless Steel	S 40300	1.4000	1
55	Rotor				1
56	Stator				1
64	Motor Housing	Aluminum Alloy Die Casting	B85 383.0	EN 1706 AC-46100	1
65	Outer Cover	Steel (Cold Rolled)	A109/A1008	EN 10130	1
68	Handle	ABS Resin			1
71	Shaft Sleeve	Stainless Steel	S 30400	1.4301	1
76	Capacitor				1
114	Relay Unit	Styrene Butadien Rubber			1

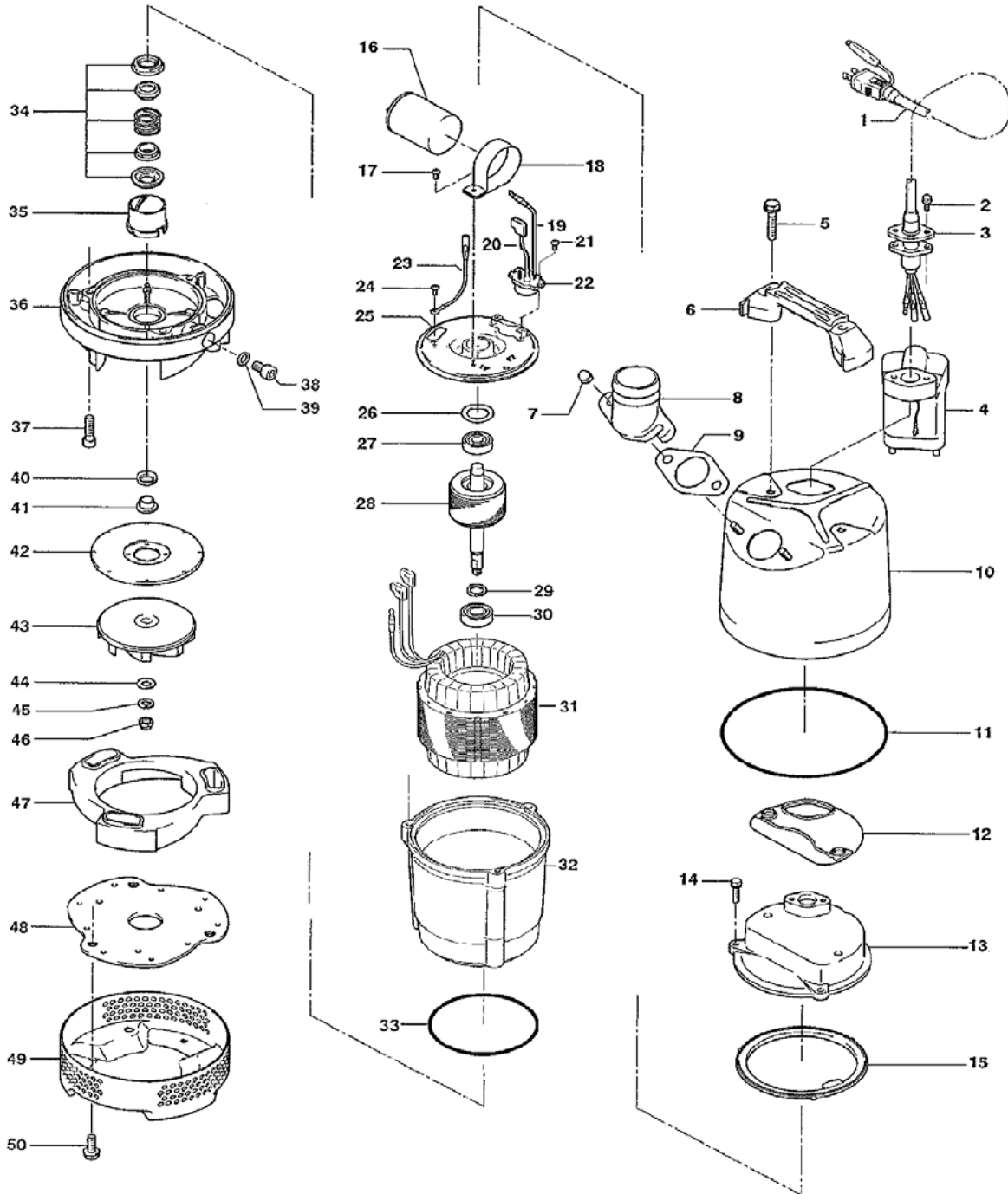
PARTS LIST		PORTABLE AUTOMATIC DEWATERING PUMP			10/27/2017	
ITEM	PART No.	DESCRIPTION	QTY	SIZE	MATERIAL	NOTES
1	001-007-41	Cabtyre Cable Set (50') 115V-60Hz(USA)	1	VCT3Cx2mm2(CSA3P)	LBD	
	001-002-06	Cabtyre Cable Set (50') 230V-60Hz(USA)	1	VCT3Cx2mm2	LBD	
2	140-446-12	Hex.Bolt (w/Plain Washer)	2	M5x38	SUS304	
3	003-190-10	Gland	1		SUS316	
4	114-000-97	Relay Unit 115V-60Hz(USA)	1Set	EL-BP-100		
	114-000-94	Relay Unit 230V-60Hz(USA)	1Set	EL-2P-200		
	090-123-12	Probe Extension (OPTION)	2		SUS304	OPTIONAL ACCESSORY
5	140-000-13	Hex.Bolt (w/Plain Washer)	2	M8x65	SUS304	
6	068-000-06	Handle	1	LB-250/480-52/62	Resin	
7	141-144-10	Hex.Nut (w/Flange)	2	M8	SUS304	
8	032-426-18	Hose Coupling (2")	1	NPT-2(LB-480-51/61)	ADC	
	032-000-75	Hose Coupling (3") OPTION	1	NPT-3	ADC	3" OPTION
9	121-587-17	Packing	1	LB-250/480-51/61	NBR	*
10	065-000-22	Outer Cover	1		SPC	
11	122-453-16	O-Ring	1	172xd2.7	NBR	*
12	121-434-18	Packing	1	LB3-250/480	Synthetic Rubber	*
13	051-000-55	Head Cover	1		ADC	
14	140-396-16	Hex.Bolt (w/Plain Washer)	3	M6x20	SUS304	
15	121-546-14	Packing	1	d120xd142x6.2t	NBR	*
16	076-000-47	Capacitor 115V-60Hz(USA)	1	66MF-270VAC(d51x70L)		
	076-000-48	Capacitor 230V-60Hz(USA)	1	20MF-500VAC(d51x70L)		
17	143-085-21	Pan Screw (w/Spring Washer)(1st)	1	M4x6	SWRM	
	143-086-22	Pan Screw (w/Spring Washer)(2nd)	1	M4x8	SWRM	
	127-000-99	Capacitor Fixing Plate	1	d51(1.0t)	SPC	interchangeable with OLD part# 127-000-46
19	009-001-03	Intermediate Lead Wire	1Set	AWG16x160(red)		
20	009-001-42	Intermediate Lead Wire	1Set	AWG16x80(Indigo)		
21	143-000-43	Truss Screw	2	M4x8	SWRM	
22	053-001-96	Motor Protector 115V-60Hz(USA)	1	KA142-LABL22F	(T.C)	
	053-002-00	Motor Protector 230V-60Hz(USA)	1	KA142-LYVL22F	(T.C)	
23	009-001-02	Earth Terminal	1Set	UL1015-AWG18,G/Y,L=160		
24	143-203-14	Pan Screw	1	M4x5	C360	
25	050-000-61	Motor Bracket	1		SECD	
26	142-000-41	Wave Washer	1	#6201(T=0.4)	S65CM	
27	052-100-15	Bearing	1	6201ZZC3		
28	055-002-98	Rotor	1Set	w/Bearing		
29	061-180-17	Bearing Collar	1	d15.1xd20x1.6t	SS	
30	052-152-12	Bearing	1	6302ZZC3		
31	056-008-25	Stator 115V-60Hz(USA)	1Set			

PARTS LIST		PORTABLE AUTOMATIC DEWATERING PUMP			10/27/2017	
ITEM	PART No.	DESCRIPTION	QTY	SIZE	MATERIAL	NOTES
	056-008-26	Stator 230V-60Hz(USA)	1Set			
32	064-001-27	Motor Frame	1		ADC	
33	122-133-17	O-Ring	1	G-110(109.4xd3.1)	NBR	*
34	025-291-10	Mechanical Seal	1	W-14VL	SSiC	
35	030-000-09	Oil Lifter	1	W-14VL	Resin	
36	029-000-72	Oil Casing	1	LB-750-51/61	ADC	
37	140-252-19	Hex.Socket Cap Bolt	3	M6x20	SUS304	
38	035-124-12	Oil Plug	1	M10x15	SUS304	
39	121-246-11	Packing	1	d10.3xd16x2t	PE	*
40	122-441-11	V-Ring	1	VR-14	NBR	
41	071-292-14	Shaft Sleeve	1	LB3-250/480	SUS304	
42	031-000-12	Wear Ring	1	LSC1.4S-51/61	SPC+Rubber	
43	021-007-56	Impeller (60Hz)	1	LB-800A-62	Urethane Rubber	
44	142-127-10	Plain Washer	1	M8	SUS304	
45	142-163-18	Spring Washer	1	M8	SUS304	
46	141-030-12	Hex.Cap Nut	1	M8	SUS304	
47	020-000-43	Pump Casing	1	LB-750	BR+NR	
48	022-001-27	Suction Cover	1	LSC1.4S-51/61	SPC+Rubber	
49	023-547-18	Strainer Stand	1	LB-250/480-51/61	SPCC	
50	140-000-14	Hex.Bolt (w/Plain Washer)	3	M8x20	SUS304	
	173-567-12	Packing O-Ring Set	1Set	(Marked by *)		
9	121-587-17	Packing (Hose Coupling)	1	LB-250/480-51/61	NBR	*
11	122-453-16	O-Ring (Out.Cover/O.Casing)	1	172xd2.7	NBR	*
12	121-434-18	Packing (Out.Cover/Head Cover)	1	LB3-250/480	Synthetic Rubber	*
15	121-546-14	Packing (Head Cover/M.Frame)	1	d120xd142x6.2t	NBR	*
33	122-133-17	O-Ring (M.Frame/O.Casing)	1	G-110(109.4xd3.1)	NBR	*
39	121-246-11	Packing (Oil Plug)	1	d10.3xd16x2t	PE	*
		Lubricant		Turbine Oil VG32 155ml		

PARTS LIST		PORTABLE AUTOMATIC DEWATERING PUMP				10/27/2017
ITEM	PART No.	DESCRIPTION	QTY	SIZE	MATERIAL	NOTES

EXPLODED VIEW

LB 800A 52/62



C-01336-1