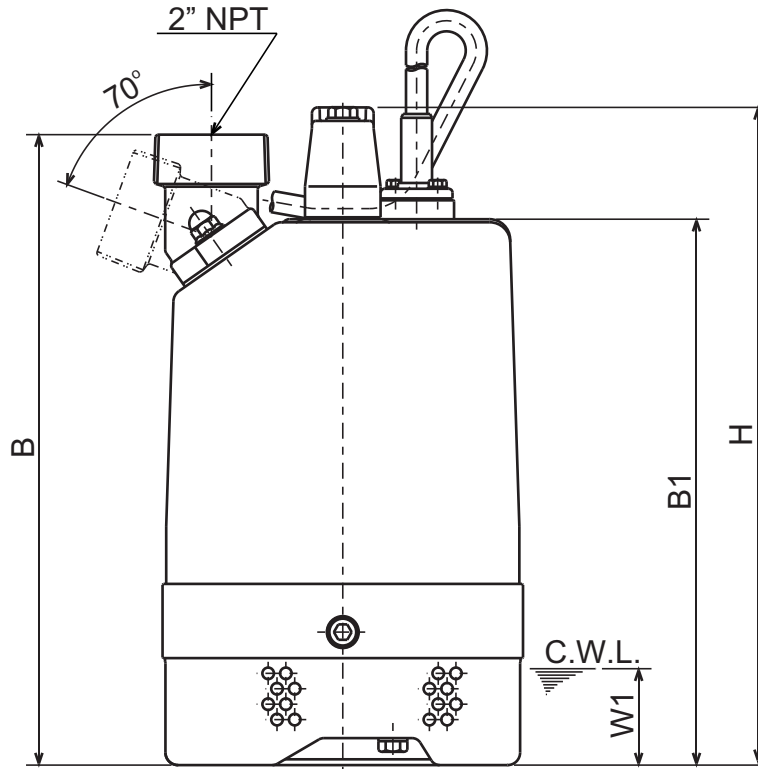
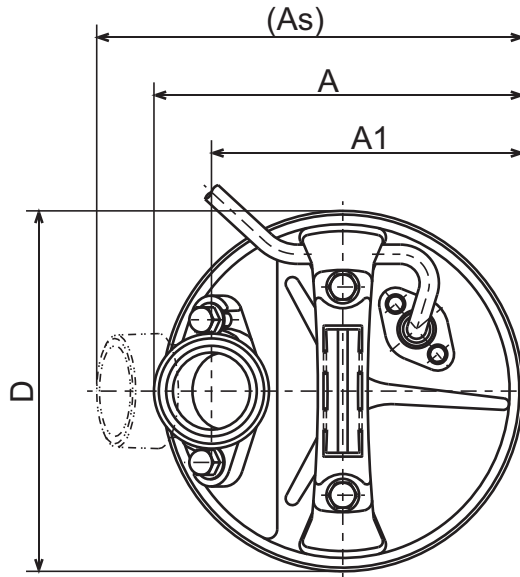




LB - SERIES
SEMI-VORTEX - DEWATERING PUMP

DIMENSIONS

LB-800-62
LBT-800-62



C.W.L. : Continuous running Water Level

DIMENSIONS:USCS (Inch)

Model	HP	NOM. SIZE	Pump & Motor								C.W.L. W1	Wt. (lbs.)
			A	As	A1	B	B1	D	H			
LB-800-62	1	2"	7 9/16	8 11/16	6 3/8	12 7/8	11 1/8	7 3/8	13 7/16	2	29	
LBT-800-62	1	2"	7 9/16	8 11/16	6 3/8	12 7/8	11 1/8	7 3/8	13 7/16	2	28	

DIMENSIONS:METRIC (mm)

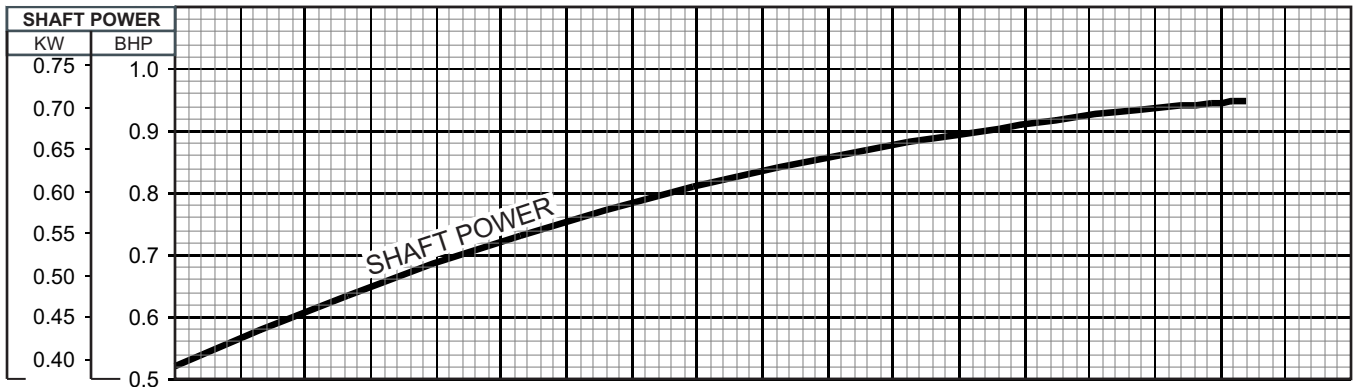
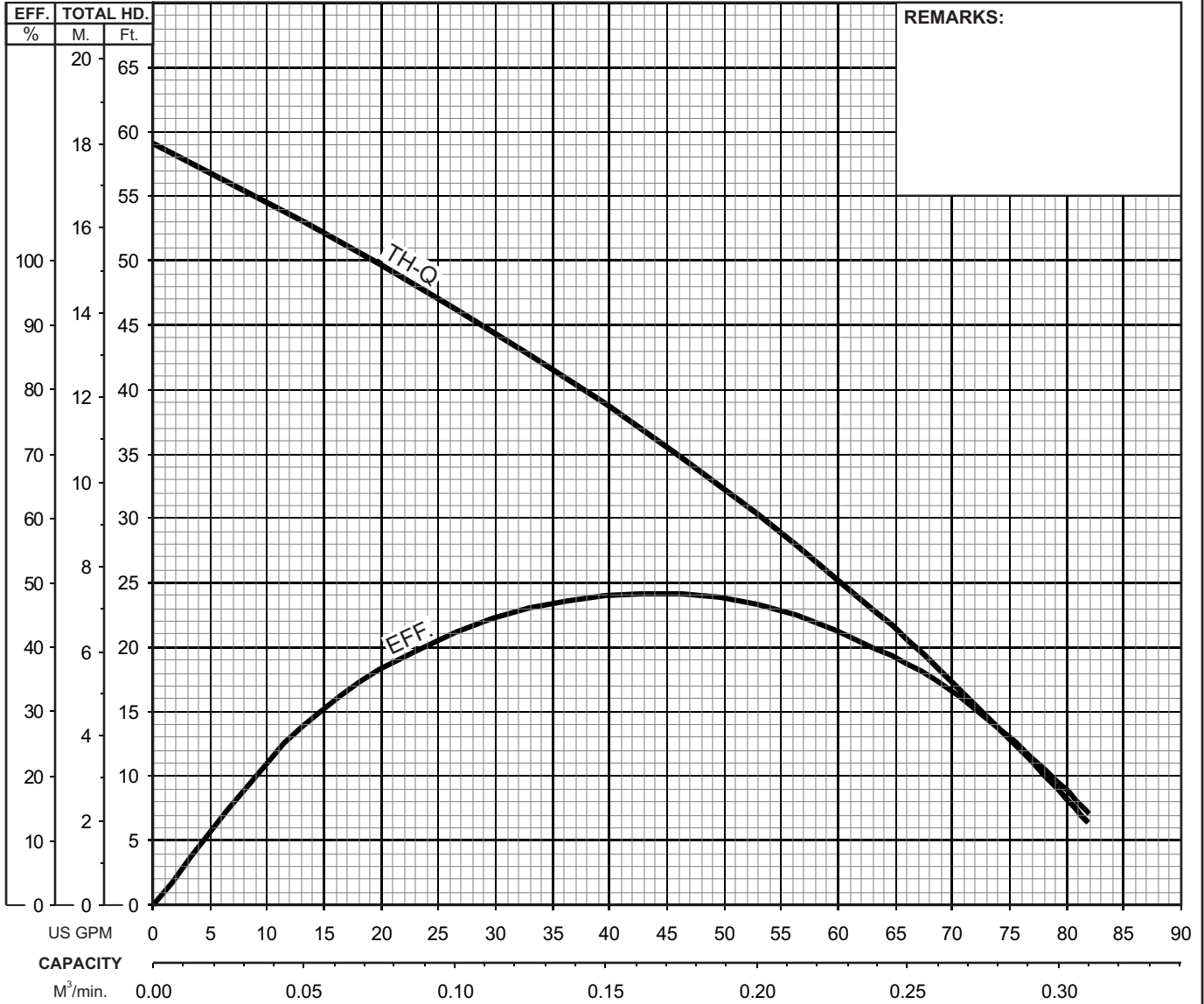
Model	kW	NOM. SIZE	Pump & Motor								C.W.L. W1	Wt. (kg)
			A	As	A1	B	B1	D	H			
LB-800-62	0.75	50	192	221	162	327	283	187	341	50	13.1	
LBT-800-62	0.75	50	192	221	162	327	283	187	341	50	12.8	

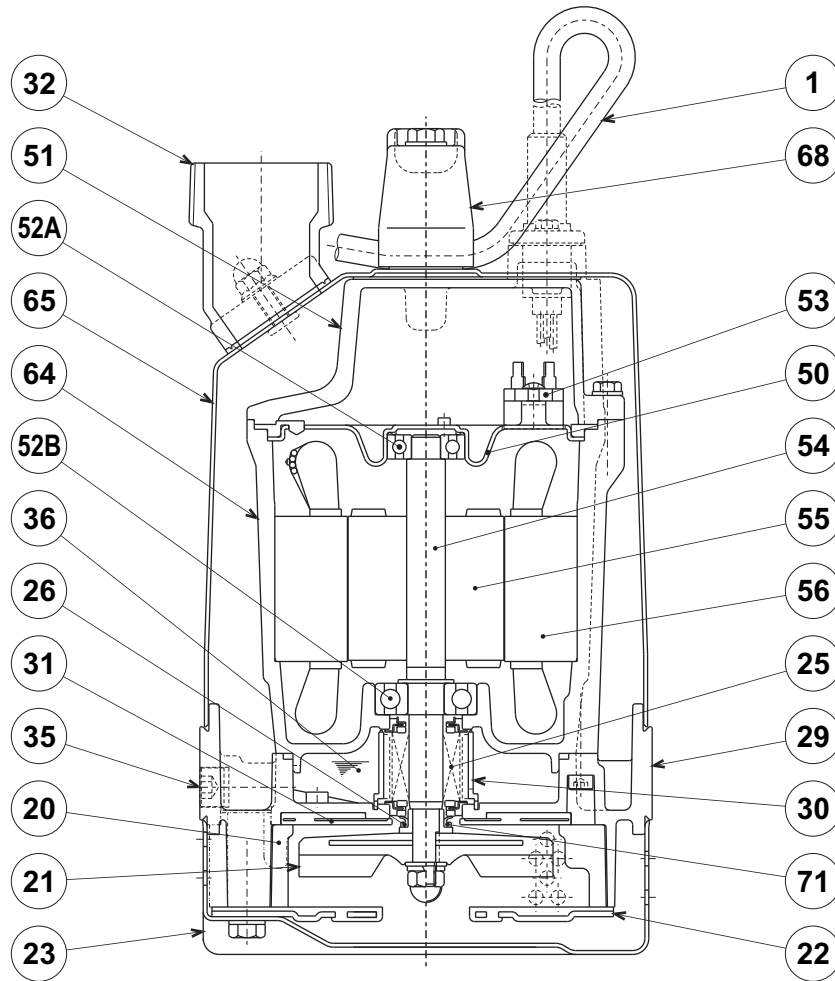


LB - SERIES SEMI-VORTEX - DEWATERING PUMP

PERFORMANCE CURVE

MODEL	BORE	HP	KW	RPM	SOLIDS DIA	LIQUID	SG.	VISCOSITY	TEMP.
LBT-800-62	2"/50mm	1	0.75	3404	0.236"/6mm	Water	1.0	1.123 cSt.	60°F
PUMP TYPE		PHASE	VOLTAGE	AMPERAGE		HZ	STARTING METHOD		INS. CLASS
Semi-Vortex - Dewatering Pump		3	208-230/460/575	3.6-3.7 / 1.7 / 1.4		60	Direct On Line		E
CURVE No.	DATE	PHASE	VOLTAGE	AMPERAGE		HZ	STARTING METHOD		INS. CLASS
-	-	-	-	-		-	-		-



LBT-800-62


ITEM#	DESCRIPTION	MAIN MATERIAL / NOTE	RELATED ASTM, AISI CODE	RELATED EN CODE
1	Power Cable	PVC Sheath AWG16/4-50ft		
20	Pump Casing	Butadiene Rubber + Natural Rubber		
21	Impeller	Urethane Rubber		
22	Suction Cover	Urethane Rubber + Steel (Cold Rolled)	(A109/A1008)	(EN 10130)
23	Suction Strainer	Steel (Cold Rolled)	A109/A1008	EN 10130
25	Mechanical Seal	Silicon Carbide / W-14VL		
26	V-Ring	Nitrile Butadiene Rubber		
29	Oil Casing	Aluminum Alloy Die Casting	B85 383.0	EN 1706 AC-46100
30	Oil Lifter	PBT Resin		
31	Wearing Plate	Urethane Rubber		
32	Discharge Connection	Aluminum Alloy Die Casting / NPT 2"	B85 383.0	EN 1706 AC-46100
35	Oil Plug	Stainless Steel	S 30400	1.4301
36	Lubricant	Turbine Oil ISO VG32 or SAE10W-20		
50	Motor Bracket	Steel (Electro-Galvanized)	A591	EN 10152
51	Motor Head Cover	Aluminum Alloy Die Casting	B85 383.0	EN 1706 AC-46100
52A	Upper Bearing	#6201ZZC3		
52B	Lower Bearing	#6302ZZC3		
53	Motor Protector			
54	Shaft	Stainless Steel	S 40300	1.4000
55	Rotor			
56	Stator			
64	Motor Housing	Aluminum Alloy Die Casting	B85 383.0	EN 1706 AC-46100
65	Outer Cover	Steel (Cold Rolled)	A109/A1008	EN 10130
68	Handle	ABS Resin		
71	Shaft Sleeve	Stainless Steel	S 30400	1.4301

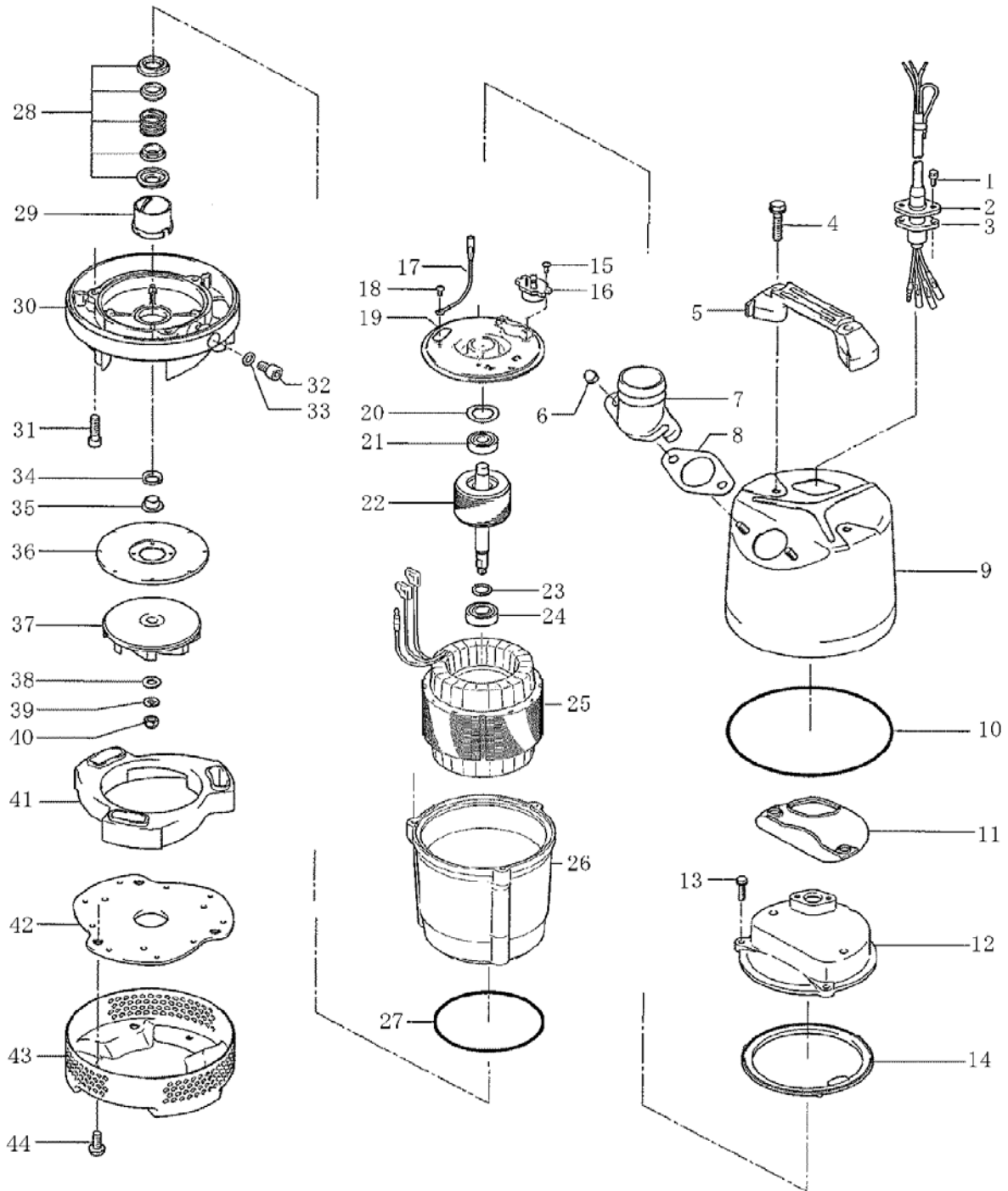
PARTS LIST		PORTABLE DEWATERING PUMP			8/1/2018	
ITEM	PART No.	DESCRIPTION	QTY	SIZE	MATERIAL	NOTES
1	001-803-33	Cabtyre Cable Set (50') 60Hz(USA)	1	VCT4Cx1.25mm2	LBT	
2	140-427-17	Hex.Bolt (w/Plain Washer)	2	M5x15	SUS304	
3	003-190-10	Gland	1		SUS316	
4	140-000-13	Hex.Bolt (w/Plain Washer)	2	M8x65	SUS304	
5	068-000-06	Handle	1	LB-250/480-52/62	Resin	
6	141-144-10	Hex.Nut (w/Flange)	2	M8	SUS304	
7	032-426-18	Hose Coupling	1	NPT-2(LB-480-51/61)	ADC	
	032-000-75	Hose Coupling 3" OPTION	1	NPT-3	ADC	3" OPTION
8	121-587-17	Packing	1	LB-250/480-51/61	NBR	*
9	065-000-22	Outer Cover	1		SPC	
10	122-453-16	O-Ring	1	172xd2.7	NBR	*
11	121-434-18	Packing	1	LB3-250/480	Synthetic Rubber	*
12	051-000-55	Head Cover	1		ADC	
13	140-396-16	Hex.Bolt (w/Plain Washer)	3	M6x20	SUS304	
14	121-546-14	Packing	1	d120xd142x6.2t	NBR	*
15	143-000-43	Truss Screw	2	M4x8	SWRM	
16	053-002-01	Motor Protector 208/230V-60Hz(USA)	1	KA311-DAVL78C	(T.C)	
	053-001-98	Motor Protector 460V-60Hz(USA)	1	KA311-DAUL68C	(T.C)	
	053-002-03	Motor Protector 575V-60Hz(USA)	1	KA311-DAVL68C	(T.C)	
17	009-001-02	Earth Terminal	1	UL1015-AWG18,G/Y,L=160		
18	143-203-14	Pan Screw	1	M4x5	C360	
19	050-451-18	Motor Bracket	1		SECD	
20	142-000-41	Wave Washer	1	#6201(T=0.4)	S65CM	
21	052-100-15	Bearing	1	6201ZZC3		
22	055-002-99	Rotor	1Set	w/Bearing		
23	061-180-17	Bearing Collar	1	d15.1xd20x1.6t	SS	
24	052-152-12	Bearing	1	6302ZZC3		
25	056-008-28	Stator 208/230V-60Hz(USA)	1Set			
	056-008-31	Stator 460V-60Hz(USA)	1Set			
	056-008-32	Stator 575V-60Hz(USA)	1Set			
26	064-001-27	Motor Frame	1		ADC	
27	122-133-17	O-Ring	1	G-110(109.4xd3.1)	NBR	*
28	025-291-10	Mechanical Seal (forUSA)	1	W-14VL	SSiC	
29	030-000-09	Oil Lifter	1	W-14VL	Resin	
30	029-000-72	Oil Casing	1	LB-750-51/61	ADC	
31	140-252-19	Hex.Socket Cap Bolt	3	M6x20	SUS304	
32	035-124-12	Oil Plug	1	M10x15	SUS304	
33	121-246-11	Packing	1	d10.3xd16x2t	PE	*

PARTS LIST		PORTABLE DEWATERING PUMP				8/1/2018
ITEM	PART No.	DESCRIPTION	QTY	SIZE	MATERIAL	NOTES
34	122-441-11	V-Ring	1	VR-14	NBR	
35	071-292-14	Shaft Sleeve	1	LB3-250/480	SUS304	
36	031-000-12	Wear Ring	1	LSC1.4S-51/61	SPC+Rubber	
37	021-007-56	Impeller (60Hz)	1	LBT-800-62	Urethane Rubber	
38	142-127-10	Plain Washer	1	M8	SUS304	
39	142-163-18	Spring Washer	1	M8	SUS304	
40	141-030-12	Hex.Cap Nut	1	M8	SUS304	
41	020-000-43	Pump Casing	1	LB-750	BR+NR	
42	022-001-27	Suction Cover	1	LSC1.4S-51/61	SPC+Rubber	
43	023-547-18	Strainer Stand	1	LB-250/480-51/61	SPCC	
44	140-000-14	Hex.Bolt (w/Plain Washer)	3	M8x20	SUS304	
	173-567-12	Packing O-Ring Set	1Set	(Marked by *)		
8	121-587-17	Packing (Hose Coupling)	1	LB-250/480-51/61	NBR	*
10	122-453-16	O-Ring (Out.Cover/O.Casing)	1	172xd2.7	NBR	*
11	121-434-18	Packing (Out.Cover/Head Cover)	1	LB3-250/480	Synthetic Rubber	*
14	121-546-14	Packing (Head Cover/M.Frame)	1	d120xd142x6.2t	NBR	*
27	122-133-17	O-Ring (M.Frame/O.Casing)	1	G-110(109.4xd3.1)	NBR	*
33	121-246-11	Packing (Oil Plug)	1	d10.3xd16x2t	PE	*
		Lubricant		Turbine Oil VG32 155ml		

PARTS LIST		PORTABLE DEWATERING PUMP				8/1/2018
ITEM	PART No.	DESCRIPTION	QTY	SIZE	MATERIAL	NOTES

EXPLODED VIEW

LBT-800-62



C-01573-1