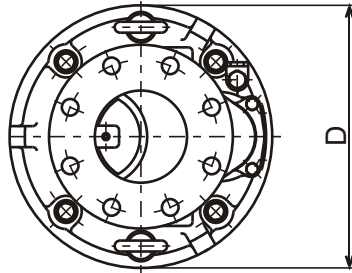




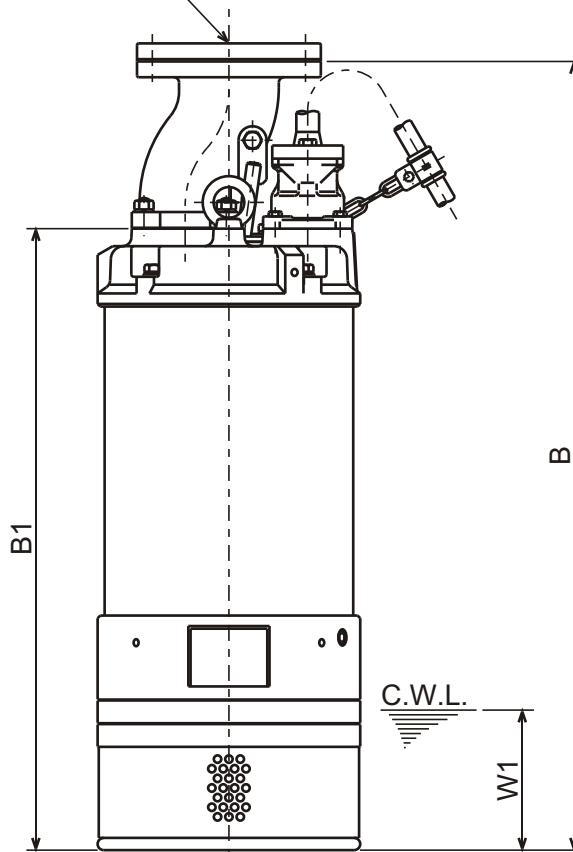
**LH - SERIES
DEWATERING PUMPS**

DIMENSIONS



**LH47.5-61
LH411-61**

4" JIS10K (150PSI) Flange
with
4" NPT Companion Flange



C.W.L. : Continuous running Water Level

DIMENSIONS:USCS (Inch)

Model	HP	NOM. SIZE	Pump & Motor			C.W.L. W1	Wt. (lbs.)
			B	B1	D		
LH47.5-61	10	4"	35 1/2	27 15/16	11 13/16	6 1/4	287
LH411-61	15	4"	35 1/2	27 15/16	11 13/16	6 1/4	302

DIMENSIONS:METRIC (mm)

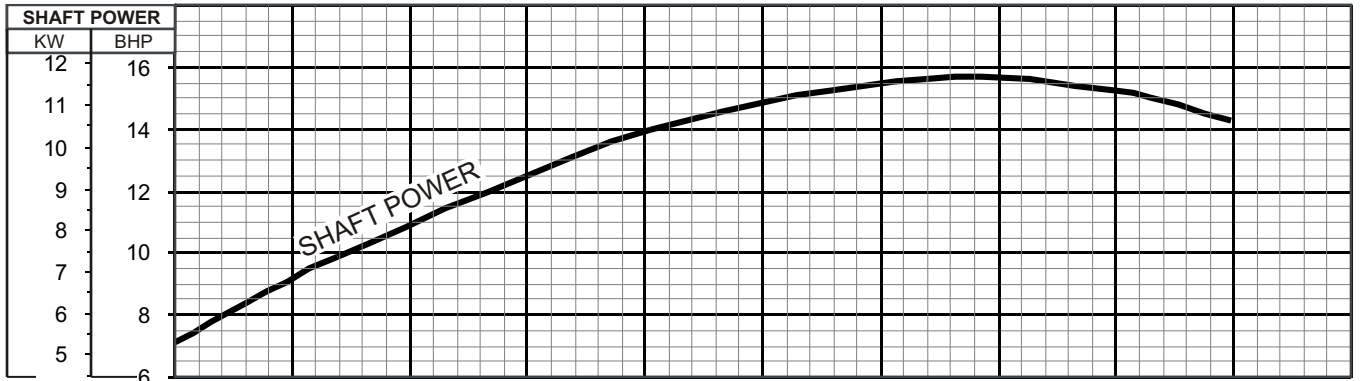
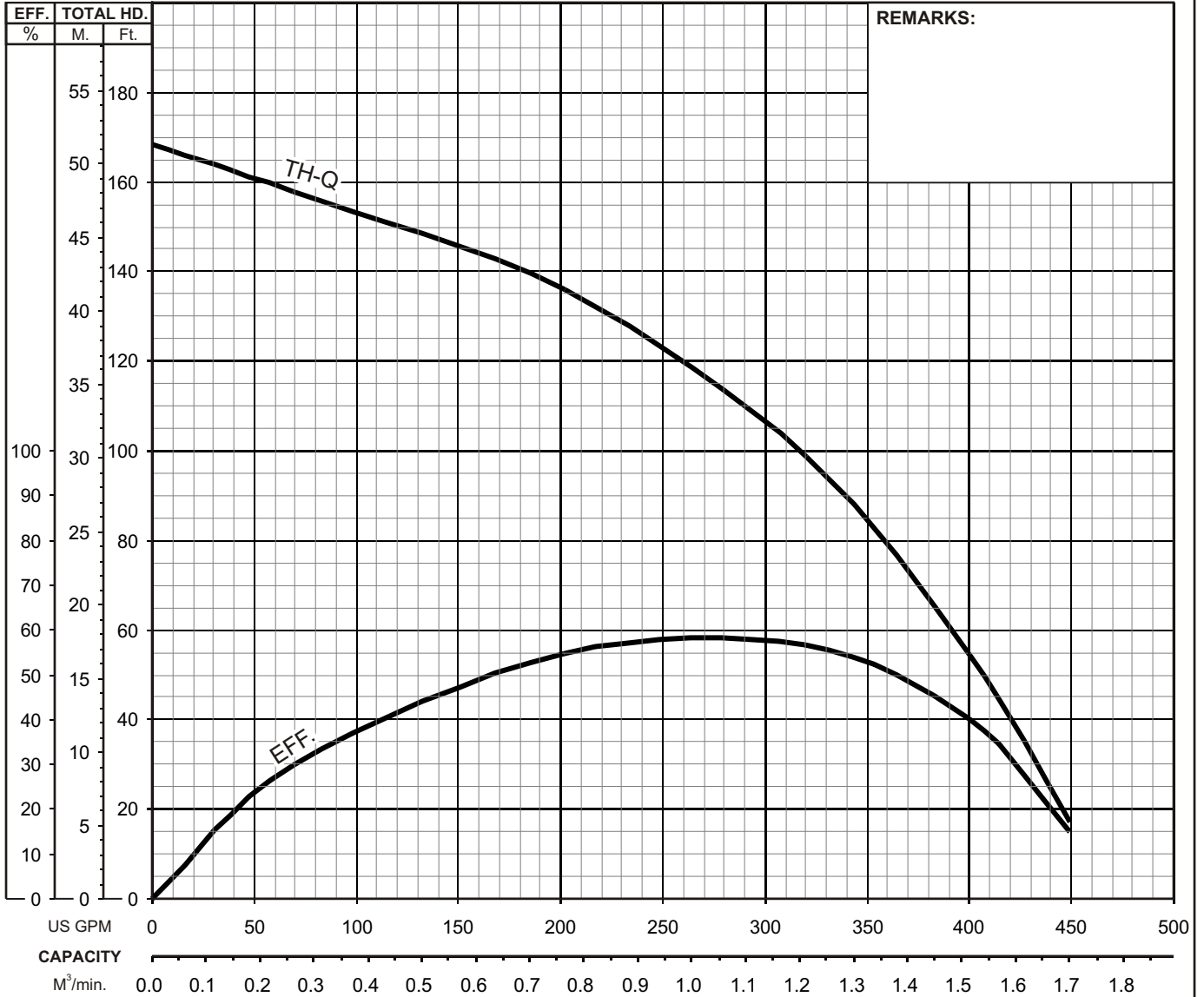
Model	kW	NOM. SIZE	Pump & Motor			C.W.L. W1	Wt. (kg)
			B	B1	D		
LH47.5-61	7.5	100	901	710	300	160	130
LH411-61	11	100	901	710	300	160	137



LH - SERIES DEWATERING PUMPS

PERFORMANCE CURVE

MODEL	BORE	HP	KW	RPM	SOLIDS DIA	LIQUID	SG.	VISCOSITY	TEMP.
LH411-61	4"/100mm	15	11	3495	0.334"/8.5mm	Water	1.0	1.123 CST	60°F
PUMP TYPE	PHASE	VOLTAGE	AMPERAGE	HZ	STARTING METHOD	INS. CLASS			
Dewatering Pump	3	220 / 440	38.5 / 19.5	60	Direct On Line	B			
CURVE No.	DATE	PHASE	VOLTAGE	AMPERAGE	HZ	STARTING METHOD	INS. CLASS		
-	-	-	-	-	-	-	-		

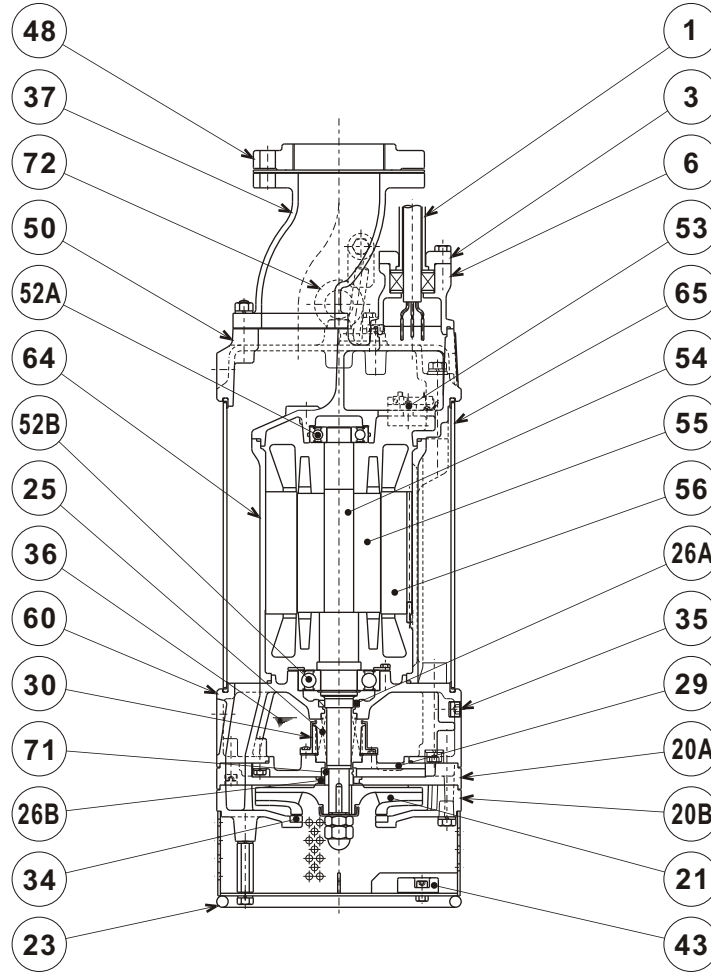




**LH - SERIES
DEWATERING PUMPS**

SECTIONAL VIEW

**LH47.5-61
LH411-61**



ITEM#	DESCRIPTION	MAIN MATERIAL / NOTE	ASTM, AISI CODE	RELATED EN CODE	Q'TY
1	Power Cable (LH47.5-61) Power Cable (LH411-61)	Chloroprene Sheath AWG10/4-50ft Chloroprene Sheath AWG8/4-50ft			1
3	Gland	Cast Iron	A48M Class30B	EN 1561 GJL-200	1
6	Stuffing Box	Cast Iron	A48M Class30B	EN 1561 GJL-200	1
20A	Upper Pump Casing	Ductile Cast Iron	A536 65-45-12	EN 1563 GJS-450-10	1
20B	Lower Pump Casing	Ductile Cast Iron	A536 65-45-12	EN 1563 GJS-450-10	1
21	Impeller	High Chrome Cast Iron	A532 Class TypeA	DIN 1695 G-X260Cr27	1
23	Suction Strainer	Steel	A283 Grade D	EN 10025 S275	1
25	Mechanical Seal	Silicon Carbide / H-30T			1
26A	Oil Seal	NBR / SC-35508			1
26B	Labyrinth Ring	Stainless Steel	S 30400	1.4301	1
29	Oil Casing	Cast Iron	A48M Class30B	EN 1561 GJL-200	1
30	Oil Lifter	PBT Resin W/GF40			1
34	Mouth Ring	High Chrome Cast Iron	A532 Class TypeA	DIN 1695 G-X260Cr27	1
35	Oil Plug	Stainless Steel	S 30400	1.4301	1
36	Lubricant	Turbine Oil ISO VG32 or SAE 10W-20			
37	Discharge Pipe	Ductile Cast Iron / 4" JIS10K	A536 65-45-12	EN 1563 GJS-450-10	1
43	Cathodic Protection Plate	Zinc Anode			4
48	Companion Flange	Cast Iron / NPT4" JIS10K	A48M Class30B	EN 1561 GJL-200	1
50	Motor Bracket	Cast Iron	A48M Class30B	EN 1561 GJL-200	1
52A	Upper Bearing	#6306ZZC3			1
52B	Lower Bearing	#6309ZZC3			1
53	Motor Protector				1
54	Shaft	Stainless Steel	S 42000	1.4028	1
55	Rotor				1
56	Stator				1
60	Bearing Housing	Cast Iron	A48M Class30B	EN 1561 GJL-200	1
64	Motor Housing	Cast Iron	A48M Class30B	EN 1561 GJL-200	1
65	Outer Cover	Steel	A283 Grade D	EN 10025 S275	1
71	Shaft Sleeve	Stainless Steel	S 40300	1.4000	1
72	Lifting Lug Bolt	Stainless Steel	S 30400	1.4301	2

PARTS LIST		CONTRACTOR PUMPS			8/20/2012	
ITEM	PART No.	DESCRIPTION	QTY	SIZE	MATERIAL	NOTES
1	001-844-36	Cabletyre Cable Set (15m)220V-60Hz(USA)	1	2PNCTF4Cx8mm2	GHZ	
1	001-844-36	Cabletyre Cable Set (15m)440V-60Hz(USA)	1	2PNCTF4Cx8mm2	GHZ	
2	010-122-10	Cable Clip Rubber	1	No.2	NBR	
3	010-120-18	Cable Clip	1	No.2-1	SPC	
4	141-004-59	Hex.Nut	1	M6	SWRM	
5	140-032-37	Hex.Bolt	1	M6x15	SWRM	
6	095-131-18	Chain	1	4mm(3L)	SS	
7	011-110-11	Shackle	1	6mm(M8_SC)	SS	
8	140-076-17	Hex.Bolt	2	M10x30	SUS304	
9	003-183-23	Gland	1	GHZ-311W	FC	
10	002-103-26	Cable Protection Tube	1	No.3	NR	
11	005-122-17	Bush Washer	2	d23xd53.5x3.2t	SPC	
12	004-129-11	Cable Bush	1	d22.5xd54x25l	NBR	
13	140-055-10	Hex.Bolt	4	M8x25	SUS304	
14	006-160-10	Stuffing Box	1	GHZ-311W	FC	
15	122-128-19	O-Ring	1	G-85(84.4xd3.1)	NBR	
16	009-129-16	Terminal	4	E (Small)	CU	
17	009-101-12	Terminal(C/W Screw)	4	d12x(d6.6xd6.6)x25l	C3604	
18	009-129-16	Terminal	4	E (Small)	CU	
19	002-129-15	Heat Shrink Tube (Sold per meter)	m	EVA(d14x1t)	(Vm)	
20	002-132-11	Heat Shrink Tube (Sold per meter)	m	A4(d17x0.27t)	(Vm)	
21	037-427-14	Center-Flange Discharge Pipe	1	LH47.5/411-51/61	FCD	
22	141-007-10	Hex.Nut	4	M12	SUS304	
23	142-165-10	Spring Washer	4	M12	SUS304	
24	121-373-18	Packing	1	P.C.133xd100x1t	THREE SHEET	
25	144-000-46	Stud Bolt	4	M12x64(24/27)	SUS304	
26	140-095-12	Hex.Bolt	1	M12x20	SUS304	
27	142-165-10	Spring Washer	1	M12	SUS304	
28	070-103-10	L-Shape Fitting	1	KT-55	SPC	
29	140-096-13	Hex.Bolt	2	M12x25	SUS304	
30	142-165-10	Spring Washer	2	M12	SUS304	
	142-129-12	Plain Washer	2	M12	SUS304	
31	127-281-16	Stay (Left)	1	LH47.5/411-51/61	SS	
32	127-280-15	Stay (Right)	1	LH47.5/411-51/61	SS	
33	140-097-14	Hex.Bolt	2	M12x30	SUS304	
34	142-165-10	Spring Washer	2	M12	SUS304	
35	143-086-22	Pan Screw (w/Spring Washer)	1	M4x8	SWRM	
36	009-166-15	Earth Terminal	1Set	8mm2x190L		
37	140-112-16	Hex.Bolt	4	M12x110	SUS304	
38	142-165-10	Spring Washer	4	M12	SUS304	
39	142-298-13	Seal Washer	4	SM-12	SUS+NBR	
40	072-107-27	Eve Bolt	2	M16	SUS304	
41	144-583-14	Hex. Socket Cap Screw	4	M8x10	SUS304	
42	050-493-12	Motor Bracket	1		FC	

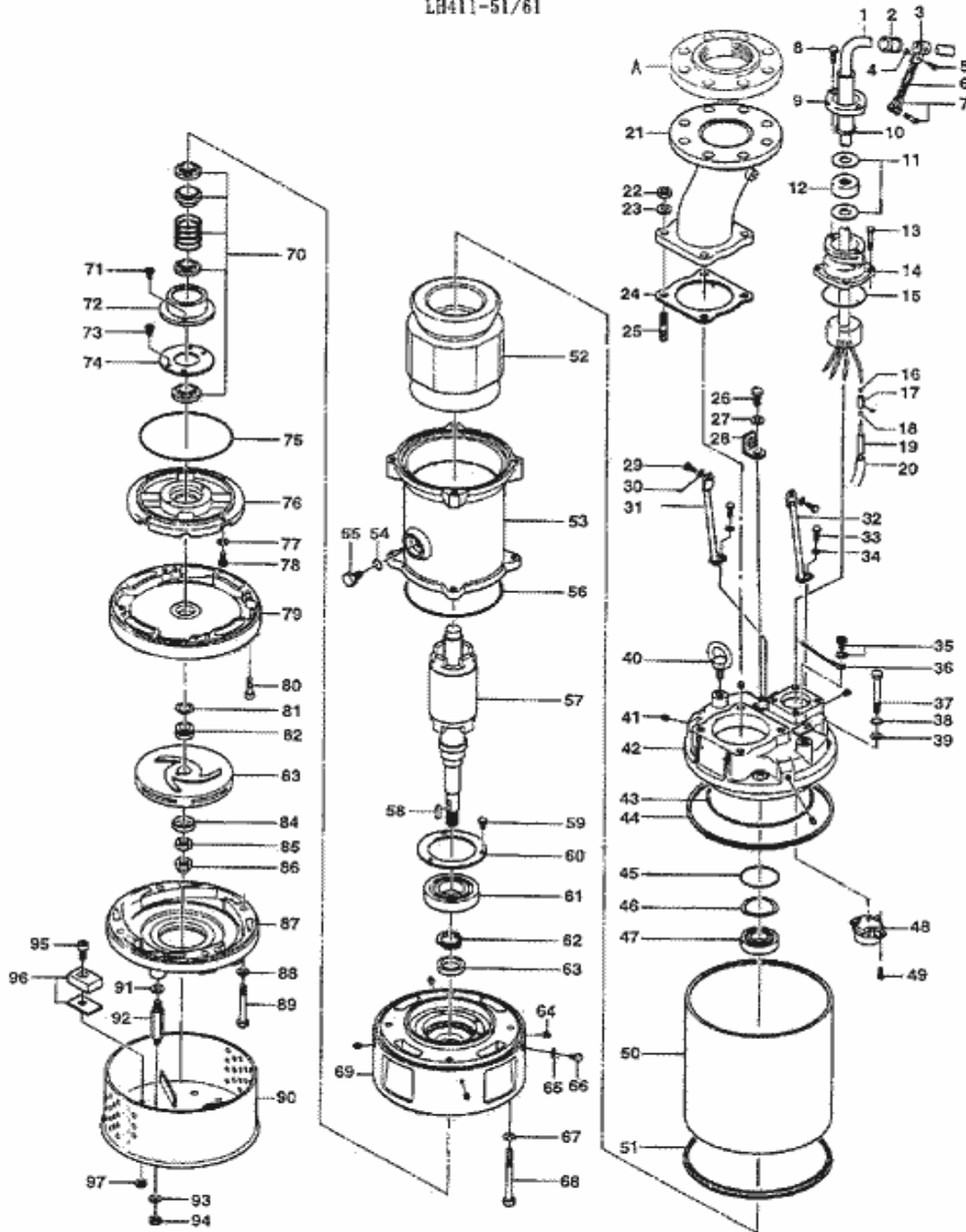
PARTS LIST		CONTRACTOR PUMPS			8/20/2012	
ITEM	PART No.	DESCRIPTION	QTY	SIZE	MATERIAL	NOTES
43	122-149-16	O-Ring	1	G-190(189.3xd5.7)	NBR	
44	121-592-15	Packing	1	LH47.5/411(L)	NBR	
45	122-245-13	O-Ring	1	71.4xd3.1	NBR	
46	142-198-12	Wave Washer	1	6306	SK5	
47	052-109-14	Bearing	1	6306ZZC3		
48		Motor Protector 220V-60Hz(USA)	1			
48		Motor Protector 440V-60Hz(USA)	1			
49	143-016-18	Pan Screw	2	M4x12	SWRM	
50	065-385-16	Outer Cover	1		SS	
51	121-592-15	Packing	1	LH47.5/411(L)	NBR	
52		Stator 220V-60Hz(USA)	1Set			
52		Stator 440V-60Hz(USA)	1Set			
53	064-570-17	Motor Frame	1		FC	
54	122-259-10	O-Ring	1	12xd3	NBR	
55	144-490-13	Stator Set Bolt	1	M12(B=21)	SUS403	
56	122-144-11	O-Ring	1	G-165(164.3xd5.7)	NBR	
57	055-884-19	Rotor	1Set			
58	147-023-10	Impeller Key	1	7x7x32l	SUS420	
59	140-033-25	Hex.Bolt	3	M6x16	SWRM	
60	062-223-16	Bearing Fixing Plate	1	d92xd130x4.5t	SS	
61	052-112-10	Bearing	1	6309ZZC3		
62	146-027-11	Retaining Ring	1	C45	SK5	
63	026-217-15	Oil Seal	1	SC-35508	NBR	
64	144-583-14	Hex. Socket Cap Screw	4	M8x10	SUS304	
65	121-247-12	Packing	1	d12.3xd18x2t	PE	
66	035-113-18	Oil Plug	1	M12x14	SUS304	
67	142-165-10	Spring Washer	4	M12	SUS304	
68	140-516-14	Hex.Socket Cap Bolt	4	M12x110	SUS304	
69	060-493-13	Bearing Housing	1		FC	
70	025-246-10	Mechanical Seal	1	H-30T	SiC	
71	143-070-23	Pan Screw	2	M5x6	SWRM	
72	030-142-11	Oil Lifter	1	H-30(A)(T)	Resin	
73	143-070-10	Pan Screw	3	M5x6	SWRM	
74	030-151-13	Seal Stopper	1	H-30(A)(T)	SPCC	
75	122-333-19	O-Ring	1	170xd3.1	NBR	
76	029-397-19	Oil Casing	1	LH47.5/411/615-51/61	FC	
77	142-163-18	Spring Washer	4	M8	SUS304	
78	140-055-10	Hex.Bolt	4	M8x25	SUS304	
79	020-000-30	Upper Pump Casing (w/Labyrinth Ring)	1	LH47.5/411-51/61	FC	
80	140-270-13	Hex.Socket Cap Bolt	4	M8x30	SUS304	
81	040-107-28	Impeller Shim		d25.2xd38x0.3t	SUS304	
82	071-000-02	Shaft Sleeve	1	LH47.5/411/615-51/61	SUS403	
83	021C9916	Impeller (60Hz)	1	LH411-61	HiCrFC	
84	047-105-27	Impeller Thread Protect.Cover	1	No.4(22)	SUS304	

PARTS LIST		CONTRACTOR PUMPS				8/20/2012
ITEM	PART No.	DESCRIPTION	QTY	SIZE	MATERIAL	NOTES
85	141-009-38	Hex.Nut	1	M20(H=12)	SUS304	
86	141-034-16	Hex.Cap Nut	1	M20	SUS304	
87	020-000-31	Lower Pump Casing (w/Mouth Ring)	1	LH47.5/411-51/61	FC	
88	142-165-10	Spring Washer	4	M12	SUS304	
89	140-109-10	Hex.Bolt	4	M12x90	SUS304	
90	023-001-28	Strainer Stand	1	LH47.5/411-51/61	SS	interchangeable with OLD part# 023-543-14
91	142-164-19	Spring Washer	4	M10	SUS304	
92	144-000-09	Stud Bolt	4	M10x94(20/14)	SUS403	
93	142-164-19	Spring Washer	4	M10	SUS304	
94	141-006-19	Hex.Nut	4	M10	SUS304	
95	140-268-18	Hex.Socket Cap Bolt	4	M8x20	SUS304	
96	043-100-17	Cathodic Protection Plate	4	DW(50x34x20t)	ZNP	
97	141-005-18	Hex.Nut	4	M8	SUS304	
A	048-139-10	Screwed Flange	1	NPT-4(JIS10K)	FC	
		<Packing O-Ring Set>				
	173-000-19	Packing O-Ring Set	1Set	(Marked by *)		
15	122-128-19	O-Ring	1	G-85(84.4xd3.1)	NBR	
24	121-373-18	Packing	1	P.C.133xd100x1t	THREE SHEET	
39	142-298-13	Seal Washer	4	SM-12	SUS+NBR	
43	122-149-16	O-Ring	1	G-190(189.3xd5.7)	NBR	
44	121-592-15	Packing	1	LH47.5/411(L)	NBR	
45	122-245-13	O-Ring	1	71.4xd3.1	NBR	
51	121-592-15	Packing	1	LH47.5/411(L)	NBR	
54	122-259-10	O-Ring	1	12xd3	NBR	
56	122-144-11	O-Ring	1	G-165(164.3xd5.7)	NBR	
65	121-247-12	Packing	1	d12.3xd18x2t	PE	
75	122-333-19	O-Ring	1	170xd3.1	NBR	
		Lubricant		Turbine Oil VG32 2,500ml		

PARTS LIST		CONTRACTOR PUMPS				8/20/2012
ITEM	PART No.	DESCRIPTION	QTY	SIZE	MATERIAL	NOTES

EXPLODED VIEW

LH411-51/61



C-00457-1