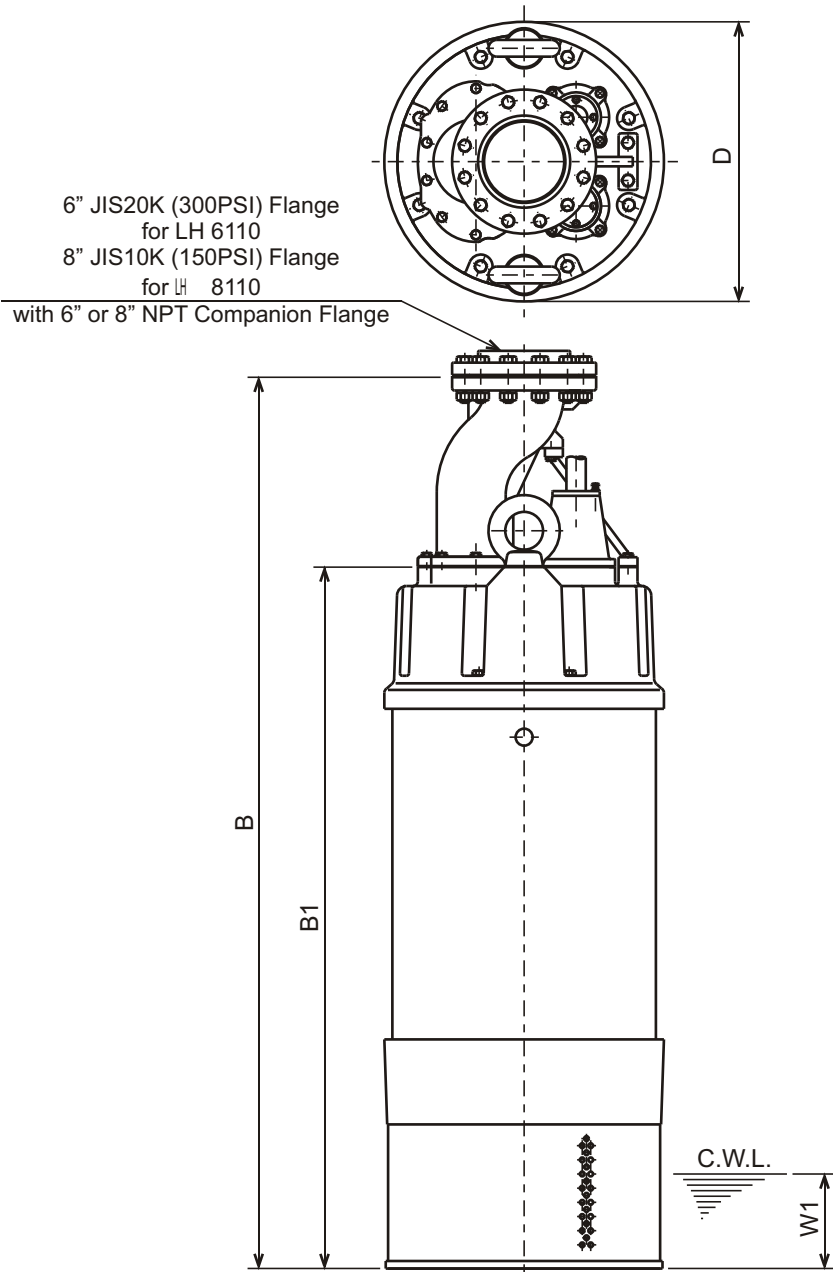




**LH - SERIES
DEWATERING PUMPS**

DIMENSIONS

**LH6110-69
LH8110-69**



6" JIS20K (300PSI) Flange
for LH 6110
8" JIS10K (150PSI) Flange
for LH 8110
with 6" or 8" NPT Companion Flange

C.W.L. : Continuous running Water Level

DIMENSIONS:USCS (Inch)

Model	HP	NOM. SIZE	Pump & Motor			C.W.L.	Wt. (lbs.)
			B	B1	D	W1	
LH6110-69	150	6"	74 5/16	58 7/16	23 5/16	7 7/8	2850
LH8110-69	150	8"	74 5/16	58 7/16	23 5/16	7 7/8	2960

DIMENSIONS:METRIC (mm)

Model	kW	NOM. SIZE	Pump & Motor			C.W.L.	Wt. (kg)
			B	B1	D	W1	
LH6110-69	110	150	1887	1485	592	200	1295
LH8110-69	110	200	1887	1485	592	200	1345

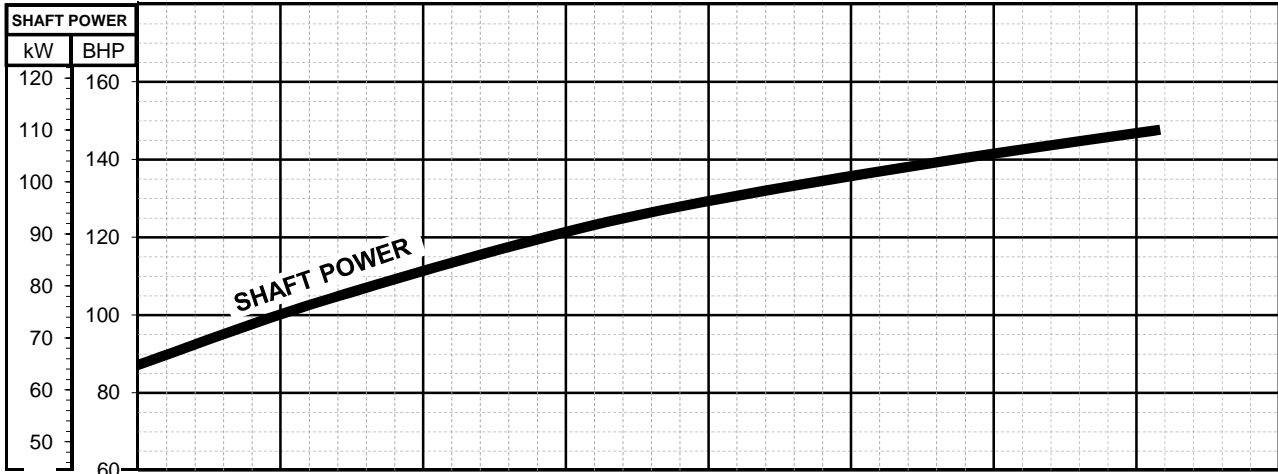
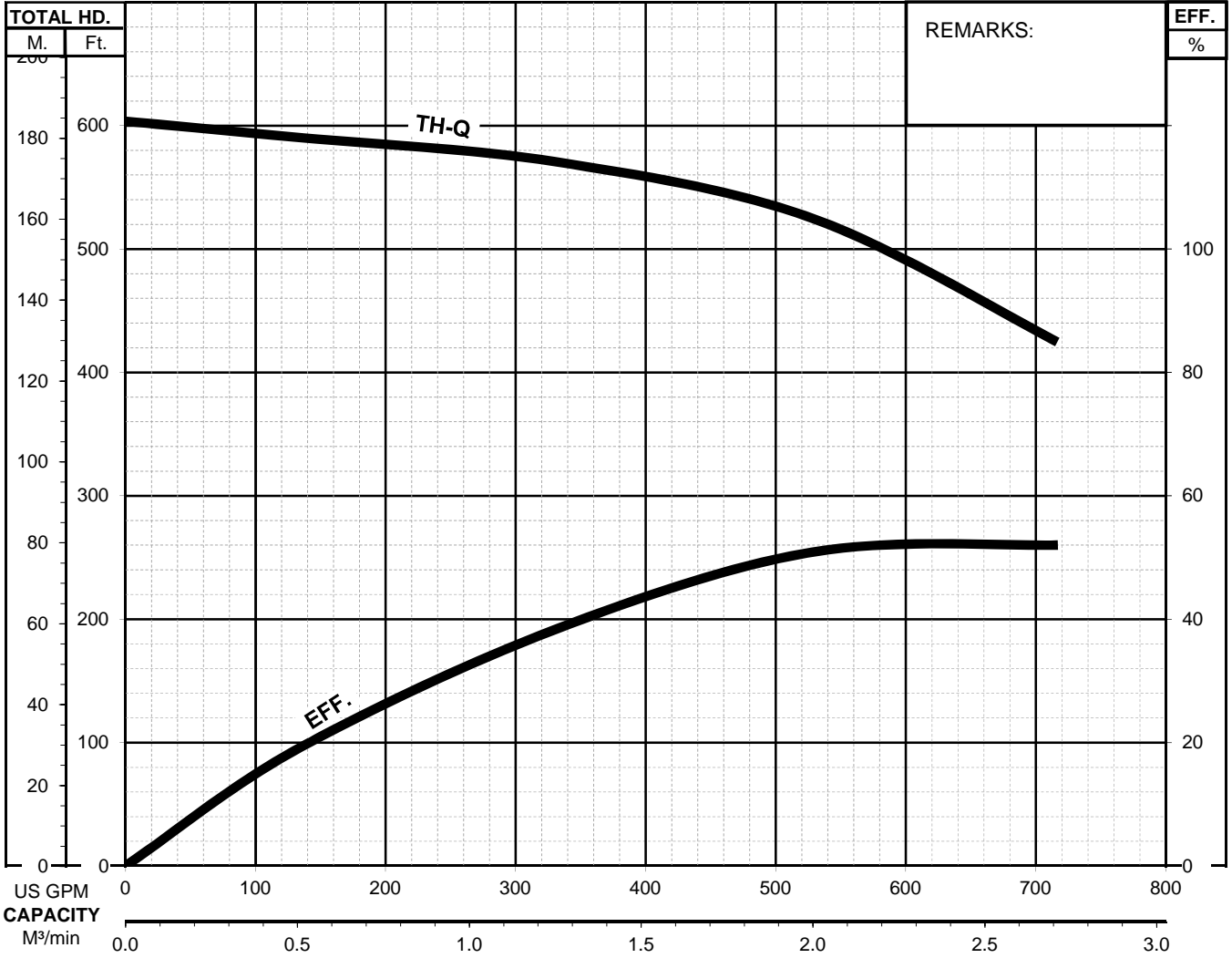


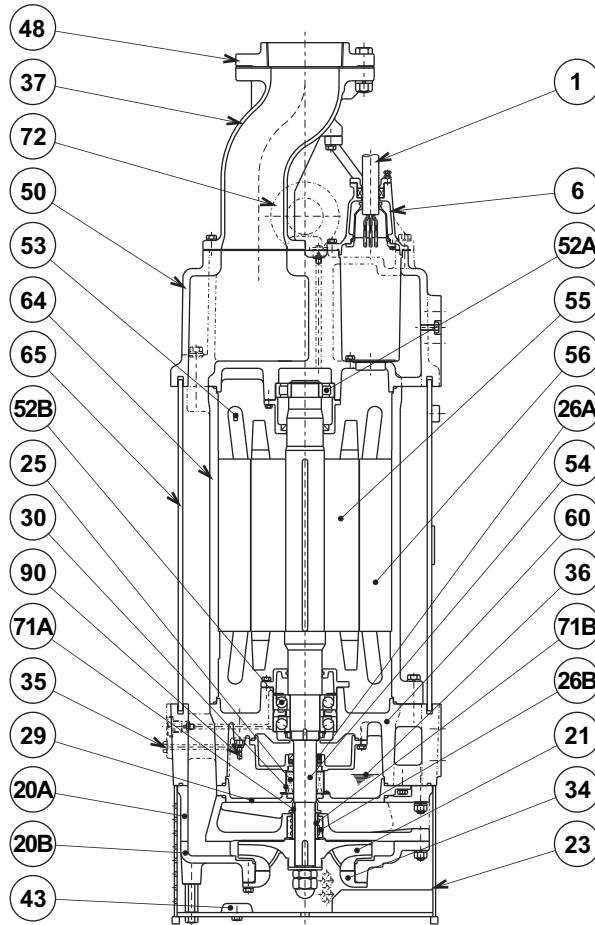
LH - SERIES

SUBMERSIBLE DEWATERING PUMPS

PERFORMANCE
CURVE

MODEL	BORE	HP	KW	RPM	SOLIDS DIA.	LIQUID	SG.	VISCOSITY	TEMP.
LH6110-61	6"/150mm	150	110	3570	0.394"/10mm	Water	1.0	1.123cSt.	60°F
PUMP TYPE	PHASE	VOLTAGE	AMPERAGE	HZ	STARTING METHOD	INS. CLASS			
Dewatering Pump	3	460 / 575	181 / 145	60	Star-Delta	F			
CURVE No.	DATE	PHASE	VOLTAGE	AMPERAGE	HZ	STARTING METHOD	INS. CLASS		
-	-	-	-	-	-	-	-		




TSURUMI PUMP
**LH - SERIES
DEWATERING PUMPS**
SECTIONAL VIEW
**LH6110-61
LH8110-61**


ITEM#	DESCRIPTION	MAIN MATERIAL / NOTE	RELATED ASTM, AISI CODE	RELATED EN CODE	Q'TY
1	Power Cable	Chloroprene Sheath AWG 1/3, 4/1, 14/3 -65ft			1
	Power Cable	Chloroprene Sheath AWG 1/3 -65ft			1
6	Stuffing Box	Cast Iron	A48M Class30B	EN 1561 GJL-200	2
20A	Upper Pump Casing	Cast Iron	A48M Class30B	EN 1561 GJL-200	1
20B	Lower Pump Casing	Ductile Cast Iron	A536 100-70-03	EN 1563 GJS-700-2	1
21	Impeller	High Chrome Cast Iron	A532 Class III Type A	DIN 1695 G-X260Cr27	1
23	Suction Strainer	Steel (Cold Rolled)	A109/A1008	EN 10130	1
25	Mechanical Seal	Silicon Carbide / H-50T			1
26A	Oil Seal	Nitrile Butadiene Rubber / SC-507210			1
26B	Labyrinth Ring	Stainless Steel	S 40300	1.4000	1
29	Oil Casing	Cast Iron	A48M Class30B	EN 1561 GJL-200	1
30	Oil Lifter	Steel (Cold Rolled)	A109/A1008	EN 10130	1
34	Suction Mouth	High Chrome Cast Iron	A532 Class III Type A	DIN 1695 G-X260Cr27	1
35	Oil Plug	Stainless Steel	S 30400	1.4301	2
36	Lubricant	Turbine Oil ISO VG32 or SAE10W-20			
37	Flanged Discharge Pipe	Ductile Cast Iron / 6" JIS20K or 8" JIS 10K	A536 100-70-03	EN 1563 GJS-700-2	1
43	Cathodic Protection Plate	Aluminium Alloy			3
48	Companion Flange	Cast Iron / NPT 6"or 8"	A48M Class30B	EN 1561 GJL-200	1
50	Motor Head Cover	Cast Iron	A48M Class30B	EN 1561 GJL-200	1
52A	Upper Bearing	#NU312ECM			1
52B	Lower Bearing	#7313BECBMDB w/ Spacer			1 set
53	Motor Protector				3
54	Shaft	Stainless Steel	S 42000	1.4028	1
55	Rotor				1
56	Stator				1
60	Bearing Housing	Cast Iron	A48M Class30B	EN 1561 GJL-200	1
64	Motor Housing	Cast Iron	A48M Class30B	EN 1561 GJL-200	1
65	Outer Cover	Steel	A283 Grade D	EN 10025 S275	1
71A	Shaft Sleeve (Upper)	Stainless Steel	S 40300	1.4000	1
71B	Shaft Sleeve (Lower)	Stainless Steel	S 40300	1.4000	1
72	Lifting Lug Bolt	Steel	A283 Grade D	EN 10025 S275	2
90	Leakage Sensor Electrode	Stainless Steel	S 30300	1.4305	1

PARTS LIST		HI HEAD DEWATERING PUMP			6/15/2017	
ITEM	PART No.	DESCRIPTION	QTY	SIZE	MATERIAL	NOTES
1	095-100-18	Chain	2	d5(9-Link)	SS	
2	011-101-19	Shackle	2	6mm	SS	
3	010-103-21	Cable Clip	4	No.4	SPC	
4	140-074-15	Hex.Bolt	6	M10x20	SUS304	
5	141-006-19	Hex.Nut	6	M10	SUS304	
6	009-113-17	Terminal	3	R-38-10	CU	included in ITEM#19 cable assembly
7	009-113-17	Terminal	3	R-38-10	CU	included in ITEM#20 cable assembly
8	009-168-17	Terminal	1	R-22-S6	CU	included in ITEM#20 cable assembly
9	009-116-10	Terminal	3	R-2-4	CU	included in ITEM#20 cable assembly
10	010-129-10	Cable Clip Rubber	2	115x100x2t	NBR	
11	140-056-11	Hex.Bolt	8	M8x30	SUS304	
12	141-005-47	Hex.Nut	8	M8(B=12)	SUS304	
13	003-106-19	Gland	2	No.5	FC	included in ITEM#19 cable assembly included in ITEM#20 cable assembly
14	004-113-12	Cable Bush	2	No.12	SBR	included in ITEM#19 cable assembly included in ITEM#20 cable assembly
15	006-103-28	Stuffing Box	2	No.5	FC	included in ITEM#19 cable assembly included in ITEM#20 cable assembly
16	140-076-17	Hex.Bolt	8	M10x30	SUS304	included in ITEM#19 cable assembly included in ITEM#20 cable assembly
17	142-164-19	Spring Washer	8	M10	SUS304	included in ITEM#19 cable assembly included in ITEM#20 cable assembly
18	122-264-18	O-Ring	2	140xd3.5	NBR	*
19	001-007-59	Cabtyre Cable Set (65') 460-575V-60Hz(USA)	1	2PNCTF3Cx38mm2	No.5	
20	001-007-61	Cabtyre Cable Set (65')460-575V-60Hz(USA)	1	2PNCTFMulti-core7Cx38mm2	No.5	
21	008-105-13	Mould Cover	2	No.3	NBR	included in ITEM#19 cable assembly included in ITEM#20 cable assembly
22	003-149-14	Gland (Lower)	2	No.5	FC	included in ITEM#19 cable assembly included in ITEM#20 cable assembly
23	142-162-17	Spring Washer	8	M6	SUS304	included in ITEM#19 cable assembly included in ITEM#20 cable assembly
24	140-033-12	Hex.Bolt	8	M6x16	SUS304	included in ITEM#19 cable assembly included in ITEM#20 cable assembly
25	141-004-59	Hex.Nut	7	M6	SWRM	
26	009-108-19	Terminal	6	R-38-6	CU	included in ITEM#19 cable assembly included in ITEM#20 cable assembly
27	009-108-19	Terminal	6	R-38-6	CU	
28	140-029-28	Hex.Bolt	7	M6x10	SWRM	
29	002-115-18	Heat Shrink Tube (Sold per meter)	m	EVA(d16.5x1t)	(V/m)	
30	002-116-19	Heat Shrink Tube (Sold per meter)	m	A4(d20x0.35t)	(V/m)	
31	009-168-17	Terminal	1	R-22-S6	CU	included in ITEM#20 cable assembly
32	009-114-18	Connector	3	PC-4020M		included in ITEM#20 cable assembly
33	009-115-19	Connector	3	PC-4020F		included in ITEM#20 cable assembly
34	143-000-58	Pan Screw (w/Spring Washer/Plain Washer)	1	M6x12	SWRM	
35	009-168-17	Terminal	2	R-22-S6	CU	
36	140-074-15	Hex.Bolt	3	M10x20	SUS304	
37	142-164-19	Spring Washer	3	M10	SUS304	
38	217-000-25	Fixing Plate	1	d60xd110x3T	SS	

PARTS LIST		HI HEAD DEWATERING PUMP			6/15/2017	
ITEM	PART No.	DESCRIPTION	QTY	SIZE	MATERIAL	NOTES
39	016-000-12	Protection Bush 460V-60Hz(USA)	1		NBR	
	016-000-13	Protection Bush 575V-60Hz(USA)	1		NBR	
40	140-125-12	Hex.Bolt	2	M16x45	SUS304	
41	142-166-11	Spring Washer	2	M16	SUS304	
42	142-130-16	Plain Washer	2	M16	SUS304	
43	127-000-20	Stay	1	LH690/6110	SS	
44	142-000-29	Washer		0.8/1.2/2.3	SS	
45	142-165-10	Spring Washer	2	M12	SUS304	
46	140-099-16	Hex.Bolt	2	M12x40	SUS304	
47	140-175-17	Hex.Bolt	12	M22x85	SUS304	
48	048-240-15	Screwed Flange	1	NPT-6(JIS20K)	FC	
49	121-000-65	Packing	1	JIS20Kx150mm	NR	
50	142-169-14	Spring Washer	12	M22	SUS304	
51	141-010-16	Hex.Nut	12	M22	SUS304	
52	140-099-16	Hex.Bolt	10	M12x40	SUS304	
53	142-165-10	Spring Washer	10	M12	SUS304	
54	037-000-56	Flanged Discharge Pipe	1	150mm(GH-370H)	FCD	
55	121-001-78	Packing	1	LH-90/110 (10Hole)	NAS	* interchangeable with OLD part# 121-145-19
56	140-032-11	Hex.Bolt	2	M6x15	SUS304	
57	142-162-17	Spring Washer	2	M6	SUS304	
58	214-000-11	Blind Cover	1		SS	
59	121-001-57	Packing	1		NBR	*
60	148-000-01	Grease Nipple	1	A-PT1/4	SUS304	
61	016-000-14	Protection Bush	1		NBR	
62	072-000-32	Eye Bolt	2	M42 ,B	SF	
	142-000-92	Washer		d45xd85x0.5T	SS	
63	035-102-30	Air Tightness Test Plug	1	M12x16(B=21)	SUS304	
64	122-259-10	O-Ring	1	12xd3	NBR	*
65	140-136-16	Hex.Bolt	8	M16x110	SUS304	
66	142-166-11	Spring Washer	8	M16	SUS304	
67	142-000-93	Washer	8	M16(d17xd33.5x5T)	SUS304	
68	121-001-56	Packing	8	d15.3xd26x4t	NBR	*
69	050-001-14	Motor Bracket	1		FC	
70	146-034-11	Retaining Ring	1	C60	SK5	
71	052-000-71	Bearing	1	NU312ECM		
72	026-273-19	Oil Seal	1	SC-8010513	NBR	
73	113-000-11	Upper Bearing Grease Pan	1	LH6110/8110-51/61	FC	
74	142-163-18	Spring Washer	4	M8	SUS304	

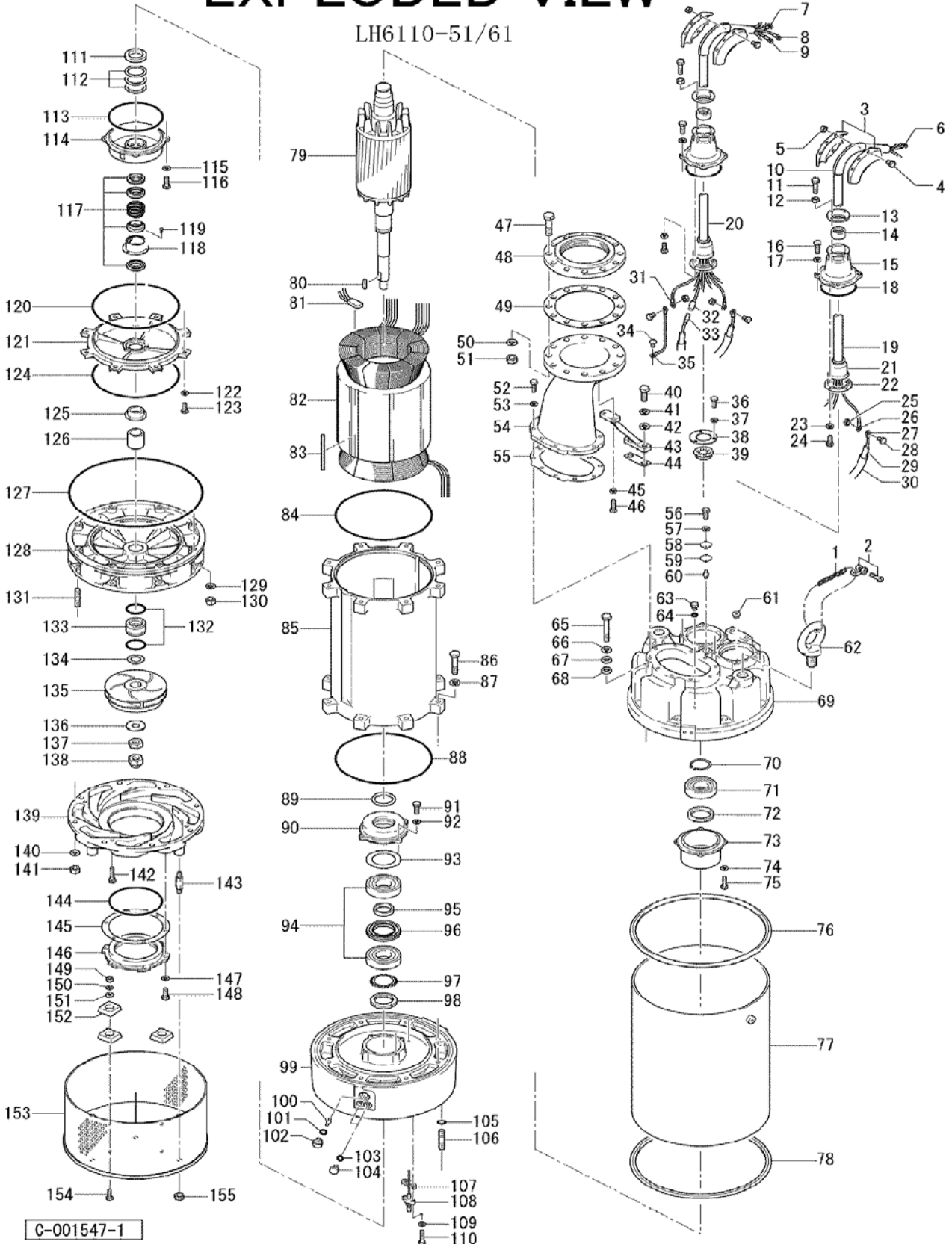
PARTS LIST		HI HEAD DEWATERING PUMP			6/15/2017	
ITEM	PART No.	DESCRIPTION	QTY	SIZE	MATERIAL	NOTES
75	140-055-10	Hex.Bolt	4	M8x25	SUS304	
76	122-000-22	O-Ring	1	V-530(524.5xd10)	NBR	*
77	065-000-64	Outer Cover	1		SS	
78	122-000-22	O-Ring	1	V-530(524.5xd10)	NBR	*
79	055-002-95	Rotor	1Set			
80	147-000-54	Impeller Key	1	12x8x56L	S42J2	
81	053-310-13	Motor Protector	3	9700K-76-215	(H)	
82	056-008-21	Stator 460V-60Hz(USA)	1Set			
	056-008-22	Stator 575V-60Hz(USA)	1Set		w/key; w/mini protector	
83	147-000-52	Key	1	d8x190L	SS	
84	122-000-57	O-Ring	1	AS568-384(380.37xd5.33)	NBR	*
85	064-001-33	Motor Frame	1		FC	
86	140-132-12	Hex.Bolt	8	M16x80	SUS304	
87	142-166-11	Spring Washer	8	M16	SUS304	
88	122-000-57	O-Ring	1	AS568-384(380.37xd5.33)	NBR	*
89	121-001-58	Packing	1	5x6x250L	Felt	*
90	062-000-24	Bearing Cover	1		FC	
91	140-076-17	Hex.Bolt	4	M10x30	SUS304	
92	142-164-19	Spring Washer	4	M10	SUS304	
93	061-000-18	Bearing Collar	1	d95xd139x3.2t(7313)	SS	
94	052-000-72	Bearing	2	7313BECBM		
95	071-000-51	linner Ring Spacer	1	7313BECBM	S45C	
96	071-000-50	Outer Ring Spacer	1	7313BECBM	S45C	
97	142-246-29	Bearing Washer	1	AW13	SUS304	
98	141-078-25	Bearing Nut	1	AN13	SUS304	
99	060-001-77	Bearing Housing	1		FC	
100	148-000-01	Grease Nipple	1	A-PT1/4	SUS304	
101	122-024-14	O-Ring	1	P-25(24.7xd3.5)	NBR	*
102	144-000-64	Grease Plug	1	M25xP1.5	SUS304	
103	122-259-10	O-Ring	2	12xd3	NBR	*
104	035-102-30	Oil Plug	2	M12x16(B=21)	SUS304	
105	122-016-13	O-Ring	8	P-16(15.8xd2.4)	NBR	*
106	144-439-14	Stud Bolt	8	M16x60(28/20)	SUS304	
107	003-151-19	Gland(for Leak Sensor)	1		SPC	
108	090-122-11	Leakage Sensor(Electrode)/w Gland	1Set	d9x43L	SUS	
109	142-161-16	Spring Washer	2	M5	SUS304	
110	140-021-17	Hex.Bolt	2	M5x20	SUS304	
111	026-274-10	Oil Seal	1	SC-507212	NBR	

PARTS LIST		HI HEAD DEWATERING PUMP			6/15/2017	
ITEM	PART No.	DESCRIPTION	QTY	SIZE	MATERIAL	NOTES
112	071-000-52	Grease Pan Spacer	3	d53xd72x3.2t	SS	
113	122-153-13	O-Ring	1	G-220(219.3xd5.7)	NBR	*
114	113-000-12	Lower Bearing Grease Pan	1	LH6110/8110-51/61	FC	
115	142-164-19	Spring Washer	4	M10	SUS304	
116	140-076-17	Hex.Bolt	4	M10x30	SUS304	
117	025-000-65	Mechanical Seal	1	H-50TX(E)	SiC	
118	030-133-19	Oil Lifter	1	H-50(T)	SPCC	
119	143-028-13	Pan Screw	3	M5x10	SWRM	
120	122-270-17	O-Ring	1	350xd5.7	NBR	*
121	029-174-21	Oil Casing	1	GH-1100	FC	
122	142-165-10	Spring Washer	8	M12	SUS304	
123	140-097-14	Hex.Bolt	8	M12x30	SUS304	
124	122-270-17	O-Ring	1	350xd5.7	NBR	*
125	071-142-18	Shaft Sleeve	1	GH-550/750	SUS403	
126	071-153-12	Shaft Sleeve (Lower)	1	d45xd49x57.5L	SUS403	
127	122-271-18	O-Ring	1	540xd5.7	NBR	*
128	020-928-18	Pump Casing (Upper)(60Hz)	1	LH890/8110-50,6110-60	FC	
129	142-166-11	Spring Washer	8	M16	SUS304	
130	141-008-11	Hex.Nut	8	M16	SUS304	
131	144-435-36	Stud Bolt	8	M16x40(28/32)	SUS304	
132	122-226-18	O-Ring	2	S-75(74.5xd2.0)	NBR	*
133	026-211-19	Labyrinth Ring	1	d55.5xd78x47L	SUS403	
134	040-127-11	Impeller Shim		d45.2xd68x0.3t	SUS304	
135	021G5110	Impeller (60Hz)	1	LH6110-61	HiCrFC	
136	142-274-13	Impeller Fixing Washer	1	d33xd75x6t	SUS304	
137	141-012-50	Hex.Nut	1	M30(H=18)	SUS304	
138	141-036-18	Hex.Cap Nut	1	M30	SUS304	
139	020-927-17	Pump Casing (Lower)(60Hz)	1	LH6110-60	FCD	
140	142-166-11	Spring Washer	8	M16	SUS304	
141	141-008-11	Hex.Nut	8	M16	SUS304	
142	140-101-41	Hex.Bolt	4	M12x50	SUS304	
143	144-128-17	Stud Bolt	4	M16x110(24/24)	SUS403	
144	122-302-19	O-Ring	1	215xd3.8	NBR	*
145	120-118-10	Packing (S.Cover)		d211xd274x0.5t	PE	
146	034-423-11	Suction Mouth(60Hz)	1	GH-890	HiCrFC	
147	142-165-10	Spring Washer	6	M12	SUS304	
148	140-098-15	Hex.Bolt(60Hz)	6	M12x35	SUS304	
149	141-007-10	Hex.Nut	3	M12	SUS304	

PARTS LIST		HI HEAD DEWATERING PUMP			6/15/2017	
ITEM	PART No.	DESCRIPTION	QTY	SIZE	MATERIAL	NOTES
150	142-165-10	Spring Washer	3	M12	SUS304	
151	142-129-12	Plain Washer	3	M12	SUS304	
152	043-102-19	Cathodic Protection Plate	3	AB-1HS(75x70x20t)	Al	
153	023-287-17	Strainer Stand	1	LH690/6110	SPC	
154	140-097-14	Hex.Bolt	3	M12x30	SUS304	
155	141-008-11	Hex.Nut	4	M16	SUS304	
	173-003-32	Packing O-Ring Set	1Set	(Marked by *)		
18	122-264-18	O-Ring (S.Box)	2	140xd3.5	NBR	*
55	121-145-19	Packing (Discharge Pipe)	1	GH-370	NBR	*
59	121-001-57	Packing (Blind Cover)	1		NBR	*
64	122-259-10	O-Ring (Air Tightness Test Plug)	1	12xd3	NBR	*
68	121-001-56	Seal Packing (M.Bracket Bolt)	8	d15.3xd26x4t	NBR	*
76	122-000-22	O-Ring (M.Bracket/Out.Cover)	1	V-530(524.5xd10)	NBR	*
78	122-000-22	O-Ring (Out.Cover/M.Frame)	1	V-530(524.5xd10)	NBR	*
84	122-000-57	O-Ring (M.Bracket/M.Frame)	1	AS568-384(380.37xd5.33)	NBR	*
88	122-000-57	O-Ring (M.Frame/Brg.Housing)	1	AS568-384(380.37xd5.33)	NBR	*
89	121-001-58	Packing (Bearing Collar)	1	5x6x250L	Felt	*
101	122-024-14	O-Ring (Grease Plug)	1	P-25(24.7xd3.5)	NBR	*
103	122-259-10	O-Ring (Oil Plug)	2	12xd3	NBR	*
105	122-016-13	O-Ring (Upp. P.Casing Bolt)	8	P-16(15.8xd2.4)	NBR	*
113	122-153-13	O-Ring (Brg.Housing/Grease Pan)	1	G-220(219.3xd5.7)	NBR	*
120	122-270-17	O-Ring (Brg.Housing/O.Casing)	1	350xd5.7	NBR	*
124	122-270-17	O-Ring (O.Casing/Upp.Casing)	1	350xd5.7	NBR	*
127	122-271-18	O-Ring (Brg.Housing/Upp..Casing)	1	540xd5.7	NBR	*
132	122-226-18	O-Ring (Labyrinth Ring)	2	S-75(74.5xd2.0)	NBR	*
144	122-302-19	O-Ring (Mouth Ring/Low. P.Casing)	1	215xd3.8	NBR	*
		Lubricant		Turbine Oil VG32 7,800ml		

PARTS LIST		HI HEAD DEWATERING PUMP			6/15/2017	
ITEM	PART No.	DESCRIPTION	QTY	SIZE	MATERIAL	NOTES

EXPLODED VIEW



C-001547-1

* Indicates items included in set