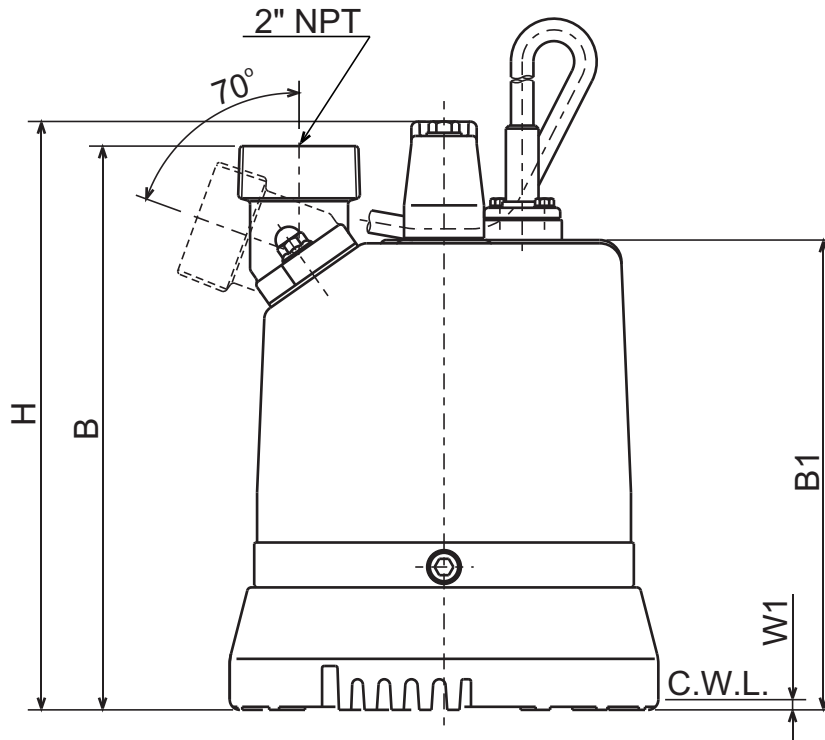
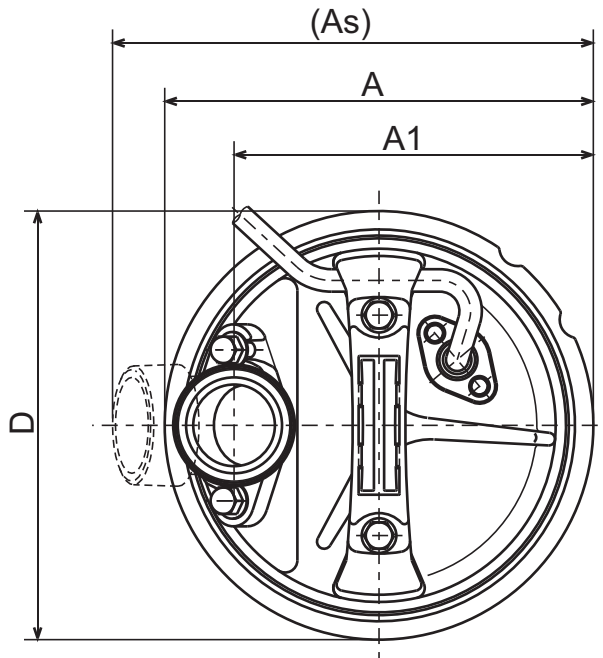




LSR - SERIES
LOW LEVEL - DEWATERING PUMP

DIMENSIONS

LSR2.4S-61



C.W.L. : Continuous running Water Level

DIMENSIONS:USCS (Inch)

| Model | HP | NOM. SIZE | Pump & Motor | | | | | | | C.W.L. W1 | Wt. (lbs.) |
|------------|-----|-----------|--------------|-------|---------|--------|--------|-------|--------|-----------|------------|
| | | | A | As | A1 | B | B1 | D | H | | |
| LSR2.4S-61 | 2/3 | 2" | 8 1/4 | 9 1/4 | 6 15/16 | 10 7/8 | 9 1/16 | 8 1/4 | 11 3/8 | 0.20 | 23 |

DIMENSIONS:METRIC (mm)

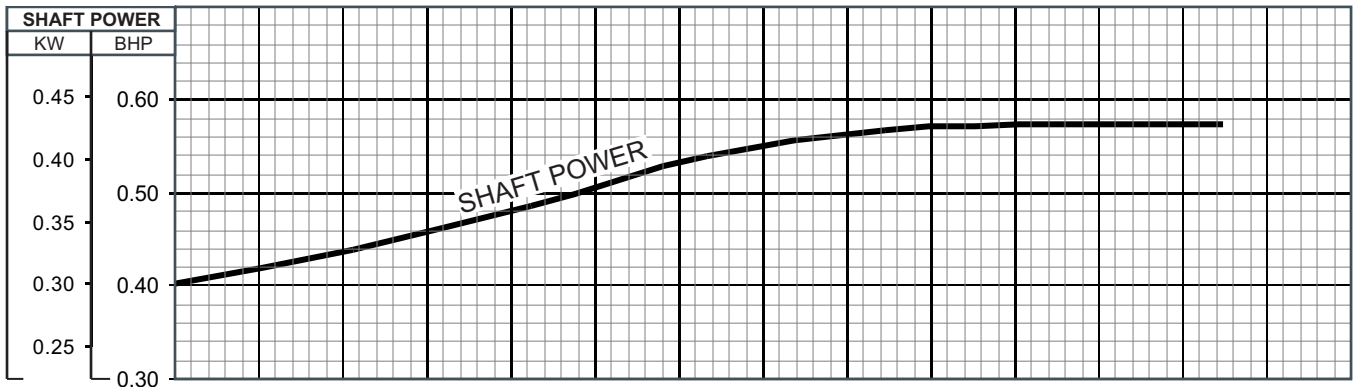
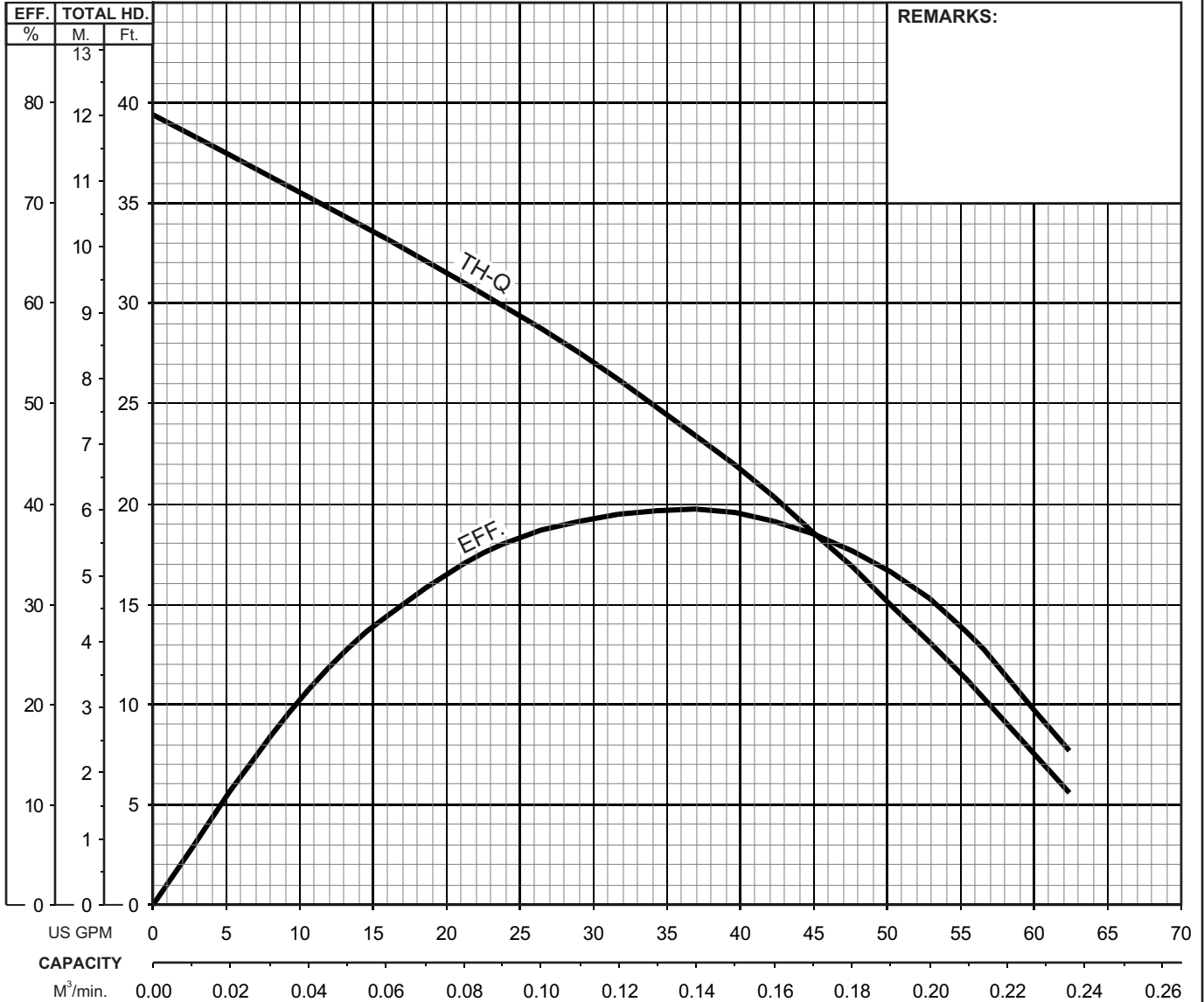
| Model | kW | NOM. SIZE | Pump & Motor | | | | | | | C.W.L. W1 | Wt. (kg) |
|------------|------|-----------|--------------|-----|-----|-----|-----|-----|-----|-----------|----------|
| | | | A | As | A1 | B | B1 | D | H | | |
| LSR2.4S-61 | 0.48 | 50 | 210 | 236 | 176 | 276 | 230 | 210 | 288 | 5 | 10.5 |



LSR - SERIES LOW LEVEL - DEWATERING PUMP

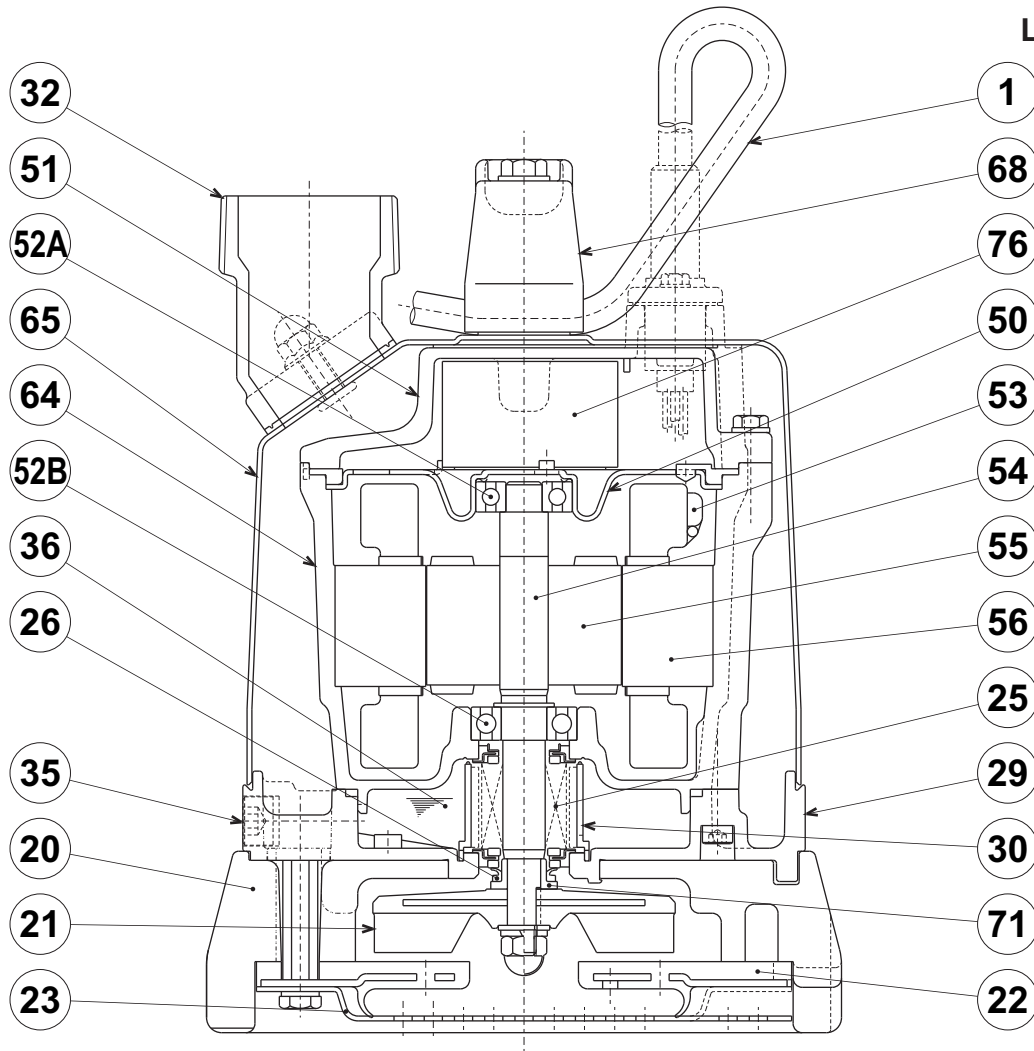
PERFORMANCE CURVE

| MODEL | BORE | HP | KW | RPM | SOLIDS DIA | LIQUID | SG. | VISCOSITY | TEMP. |
|-----------------------------|---------|------------------|---------|-----------------------|------------|-----------------|-----------------|------------|------------|
| LSR2.4S-61 | 2"/50mm | 0.64 | 0.48 | 3255 | 0.236"/6mm | Water | 1.0 | 1.123 cSt. | 60°F |
| PUMP TYPE | PHASE | VOLTAGE | | AMPERAGE | | HZ | STARTING METHOD | | INS. CLASS |
| Low Level - Dewatering Pump | Single | 110/115/120, 230 | | 6.1 / 5.9 / 5.7 , 3.0 | | 60 | Capacitor Start | | E |
| CURVE No. | DATE | PHASE | VOLTAGE | AMPERAGE | HZ | STARTING METHOD | | INS. CLASS | |
| - | - | - | - | - | - | - | | - | |



**TSURUMI PUMP**

LSR - SERIES
LOW LEVEL - DEWATERING PUMP

SECTIONAL VIEW**LSR2.4S-61**

| ITEM# | DESCRIPTION | MAIN MATERIAL / NOTE | RELATED ASTM, AISI CODE | RELATED EN CODE | Q'TY |
|-------|----------------------|-------------------------------------|-------------------------|------------------|------|
| 1 | Power Cable | PVC Sheath AWG16/3-32ft | | | 1 |
| 20 | Pump Casing | Ethylene Propylene Rubber | | | 1 |
| 21 | Impeller | Urethane Rubber | | | 1 |
| 22 | Suction Cover | Steel (Cold Rolled) | A109/A1008 | EN 10130 | 1 |
| 23 | Suction Strainer | Steel (Cold Rolled) | A109/A1008 | EN 10130 | 1 |
| 25 | Mechanical Seal | Silicon Carbide / W-14VL | | | 1 |
| 26 | V-Ring | Nitrile Butadiene Rubber | | | 1 |
| 29 | Oil Casing | Aluminum Alloy Die Casting | B85 383.0 | EN 1706 AC-46100 | 1 |
| 30 | Oil Lifter | PBT Resin | | | 1 |
| 32 | Discharge Connection | Aluminum Alloy Die Casting / NPT 2" | B85 383.0 | EN 1706 AC-46100 | 1 |
| 35 | Oil Plug | Stainless Steel | S 30400 | 1.4301 | 1 |
| 36 | Lubricant | Turbine Oil ISO VG32 or SAE10W-20 | | | 1 |
| 50 | Motor Bracket | Steel (Electro-Galvanized) | A591 | EN 10152 | 1 |
| 51 | Motor Head Cover | Aluminum Alloy Die Casting | B85 383.0 | EN 1706 AC-46100 | 1 |
| 52A | Upper Bearing | #6201ZZC3 | | | 1 |
| 52B | Lower Bearing | #6202ZZC3 | | | 1 |
| 53 | Motor Protector | | | | 1 |
| 54 | Shaft | Stainless Steel | S 40300 | 1.4000 | 1 |
| 55 | Rotor | | | | 1 |
| 56 | Stator | | | | 1 |
| 64 | Motor Housing | Aluminum Alloy Die Casting | B85 383.0 | EN 1706 AC-46100 | 1 |
| 65 | Outer Cover | Steel (Cold Rolled) | A109/A1008 | EN 10130 | 1 |
| 68 | Handle | ABS Resin | | | 1 |
| 71 | Shaft Sleeve | Stainless Steel | S 30400 | 1.4301 | 1 |
| 76 | Capacitor | | | | 1 |

| PARTS LIST | | GROUND DRAINAGE PUMP | | | 3/10/2017 | |
|------------|------------|--|------|---|------------------|-----------------------------|
| ITEM | PART No. | DESCRIPTION | QTY | SIZE | MATERIAL | NOTES |
| 1 | 001-943-23 | Cabtyre Cable Set (32') 110V-60Hz(USA) | 1 | STOW3x1.25mm2(CSA) | VCT (PVC) | |
| | 001-471-25 | Cabtyre Cable Set (50') 110V-60Hz(USA) | 1 | STOW3x1.25mm2(CSA) | VCT (PVC) | OPTION |
| | 001-999-90 | Cabtyre Cable Set (100') 110V-60Hz(USA) | 1 | STOW3x1.25mm2(CSA) | VCT (PVC) | OPTION |
| 2 | 140-427-17 | Hex.Bolt (w/Plain Washer) | 2 | M5x15 | SUS304 | |
| 3 | 003-190-10 | Gland | 1 | | SUS316 | |
| 4 | 140-000-13 | Hex.Bolt (w/Plain Washer) | 2 | M8x65 | SUS304 | |
| 5 | 068-000-06 | Handle | 1 | LB-250/480-52/62 | Resin | |
| 6 | 141-144-10 | Hex.Nut (w/Flange) | 2 | M8 | SUS304 | |
| 7 | 032-426-18 | Hose Coupling | 1 | NPT-2(LB-480-51/61) | ADC | |
| 8 | 121-587-17 | Packing | 1 | LB-250/480-51/61 | NBR | * |
| 9 | 065-000-18 | Outer Cover | 1 | LSC, Orange (2.5YR5/13) | SPC | |
| 10 | 122-453-16 | O-Ring | 1 | 172xd2.7 | NBR | * |
| 11 | 121-434-18 | Packing | 1 | LB3-250/480 | Synthetic Rubber | * |
| 12 | 140-396-16 | Hex.Bolt (w/Plain Washer) | 3 | M6x20 | SUS304 | |
| 13 | 051-282-19 | Head Cover | 1 | | ADC | |
| 14 | 121-546-14 | Packing | 1 | d120xd142x6.2t | NBR | * |
| 15 | 076-000-03 | Capacitor 110V-60Hz(USA) | 1 | SH-CAP,40MF- 220VAC(three terminals) | | |
| 16 | 143-203-14 | Pan Screw | 1 | M4x5 | C360 | |
| 17 | 050-486-12 | Motor Bracket | 1 | | SECD | |
| 18 | 142-192-16 | Wave Washer | 1 | 6201(D=32,t=0.4) | SK5 | |
| 19 | 052-100-15 | Bearing | 1 | 6201ZZC3 | | |
| 20 | 055-000-29 | Rotor | 1Set | w/Bearing | | |
| 21 | 061-180-17 | Bearing Collar | 1 | d15.1xd20x1.6t | SS | |
| 22 | 052-101-16 | Bearing | 1 | 6202ZZC3 | | |
| 23 | 056C6713 | Stator 110V-60Hz(USA) | 1Set | w/Miniature Protector | | |
| 24 | 064-508-14 | Motor Frame | 1 | | ADC | |
| 25 | 122-133-17 | O-Ring | 1 | G-110(109.4xd3.1) | NBR | * |
| 26 | 025-291-10 | Mechanical Seal | 1 | W-14VL | SSiC | |
| 27 | 030-000-09 | Oil Lifter | 1 | W-14VL | Resin | |
| 28 | 029-000-38 | Oil Casing | 1Set | LB3-250/480 | ADC | |
| | 144-560-15 | Stud Bolt | 3 | M8x54.5 | SUS304 | |
| 29 | 035-124-12 | Oil Plug | 1 | M10x15 | SUS304 | |
| 30 | 121-246-11 | Packing | 1 | d10.3xd16x2t | PE | * |
| 31 | 140-253-10 | Hex.Socket Cap Bolt | 3 | M6x25 | SUS304 | |
| 32 | 020-991-12 | Pump Casing | 1 | LSR2.4S-50/60 | Synthetic Rubber | |
| 33 | 122-441-11 | V-Ring | 1 | VR-14 | NBR | |
| 34 | 071-292-14 | Shaft Sleeve | 1 | LB3-250/480 | SUS304 | |
| 35 | 021-007-44 | Impeller (60Hz) | 1 | LSR2.4S-61 | Urethane Rubber | |
| | 021-007-43 | Impeller (50Hz) | 1 | 50Hz | Urethane Rubber | OPTIONAL for 50Hz operation |
| 36 | 142-127-10 | Plain Washer | 1 | M8 | SUS304 | |
| 37 | 142-163-18 | Spring Washer | 1 | M8 | SUS304 | |
| 38 | 141-030-38 | Hex.Cap Nut | 1 | M8(B=12) | SUS304 | |
| 39 | 022-775-14 | Suction Cover | 1 | LSR2.4S-50/60 | NR+BR | |

| PARTS LIST | | GROUND DRAINAGE PUMP | | | | 3/10/2017 |
|------------|------------|---------------------------|------|------------------------|------------------|-----------|
| ITEM | PART No. | DESCRIPTION | QTY | SIZE | MATERIAL | NOTES |
| 40 | 023-480-12 | Strainer | 1 | LSR2.4S-50/60 | SPCC | |
| 41 | 140-426-29 | Hex.Bolt (w/Plain Washer) | 3 | M6x15(B=12) | SUS304 | |
| | 173-567-12 | Packing O-Ring Set | 1Set | (Marked by *) | | |
| 13 | 121-587-17 | Packing | 1 | LB-250/480-51/61 | NBR | * |
| 15 | 122-453-16 | O-Ring | 1 | 172xd2.7 | NBR | * |
| 16 | 121-434-18 | Packing | 1 | LB3-250/480 | Synthetic Rubber | * |
| 19 | 121-546-14 | Packing | 1 | d120xd142x6.2t | NBR | * |
| 30 | 122-133-17 | O-Ring | 1 | G-110(109.4xd3.1) | NBR | * |
| 37 | 121-246-11 | Packing | 1 | d10.3xd16x2t | PE | * |
| | | Lubricant | | Turbine Oil VG32 150ml | | |

| PARTS LIST | | GROUND DRAINAGE PUMP | | | 3/10/2017 | |
|------------|----------|----------------------|-----|------|-----------|-------|
| ITEM | PART No. | DESCRIPTION | QTY | SIZE | MATERIAL | NOTES |

EXPLODED VIEW LSR2.4S-51/61

