

GENERATOR

PARTS CATALOG

MODEL : TPG4-7000HDXE

6000VA 120/240V 60Hz

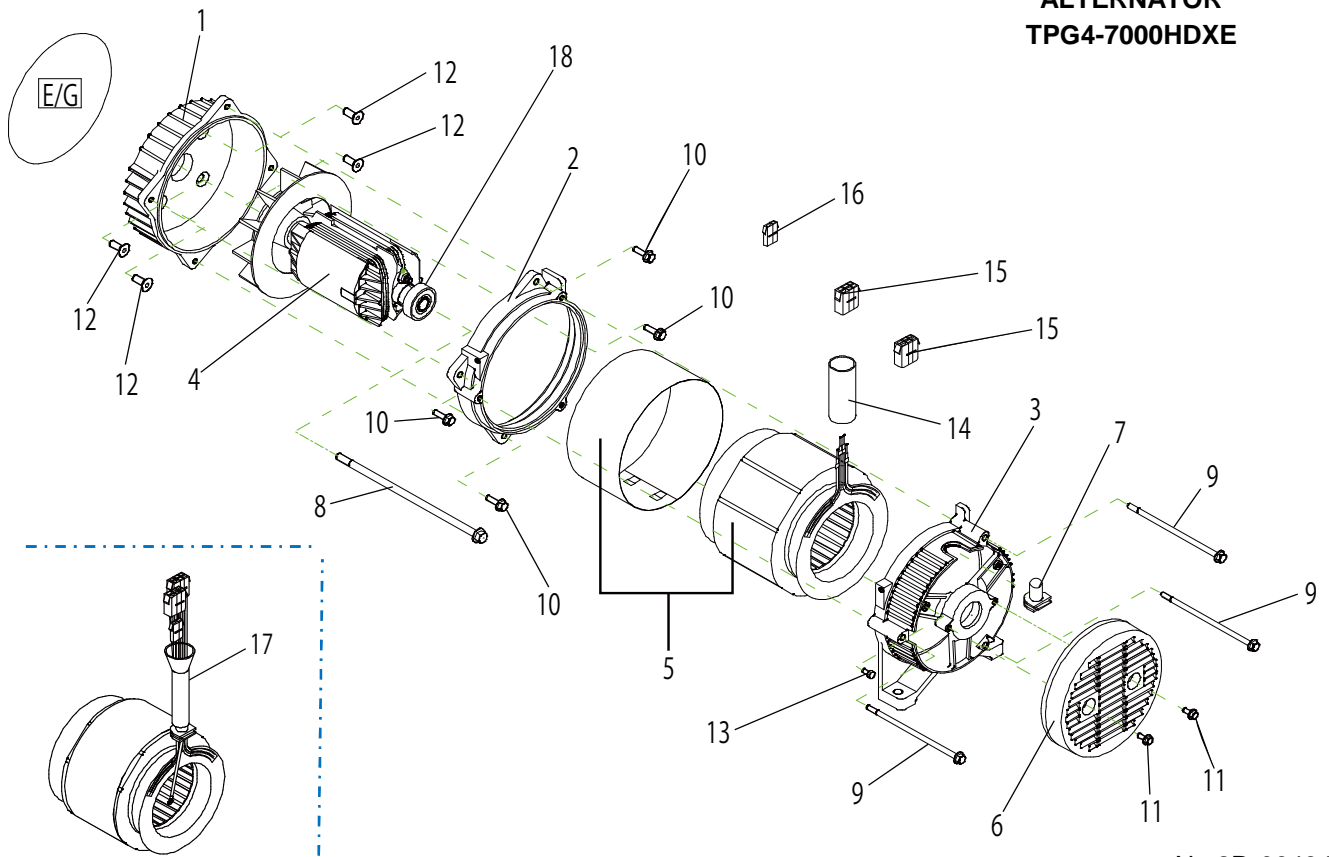


Ver.10

2021.8

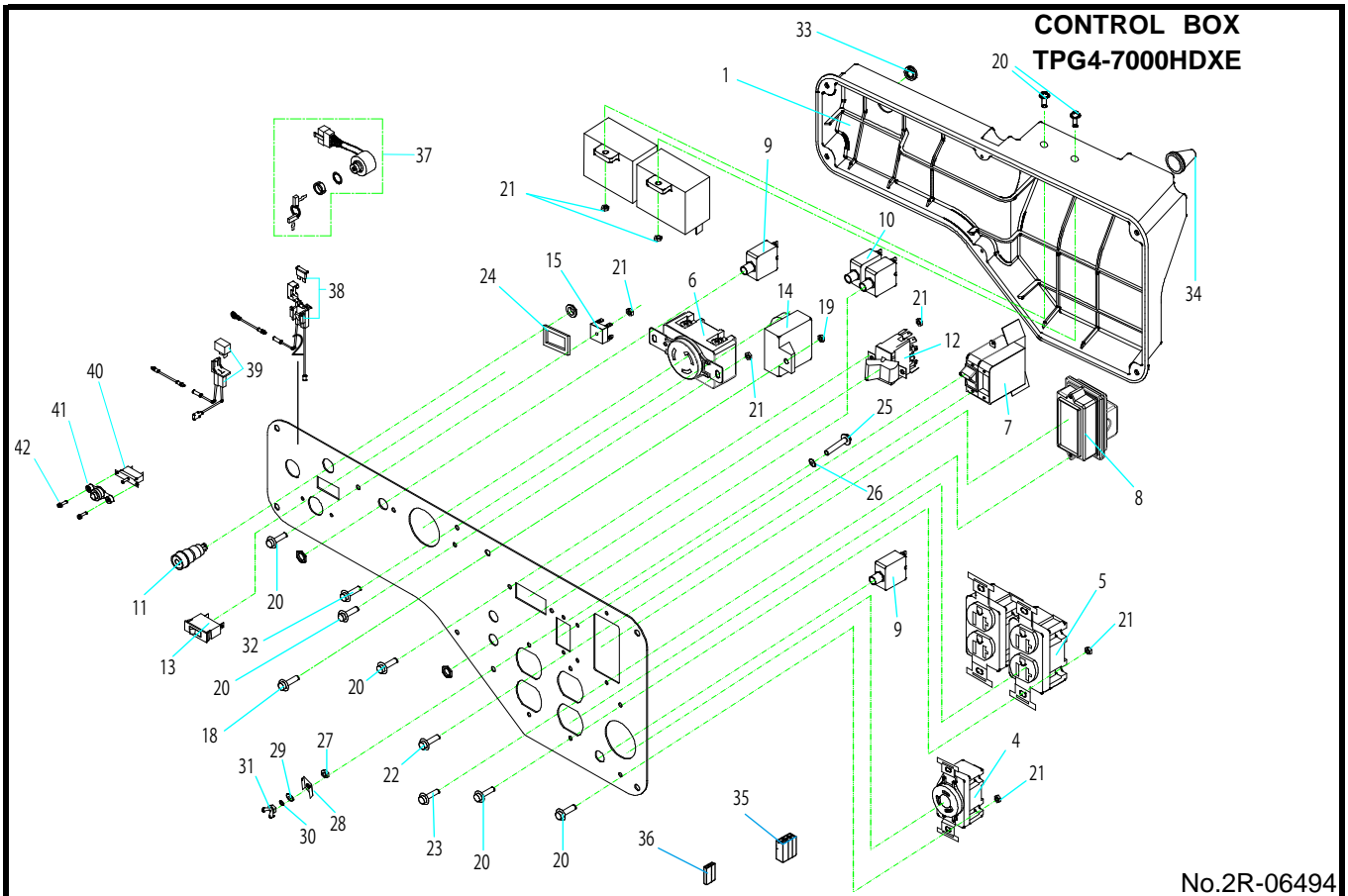
No.2R-06494

**ALTERNATOR
TPG4-7000HDXE**



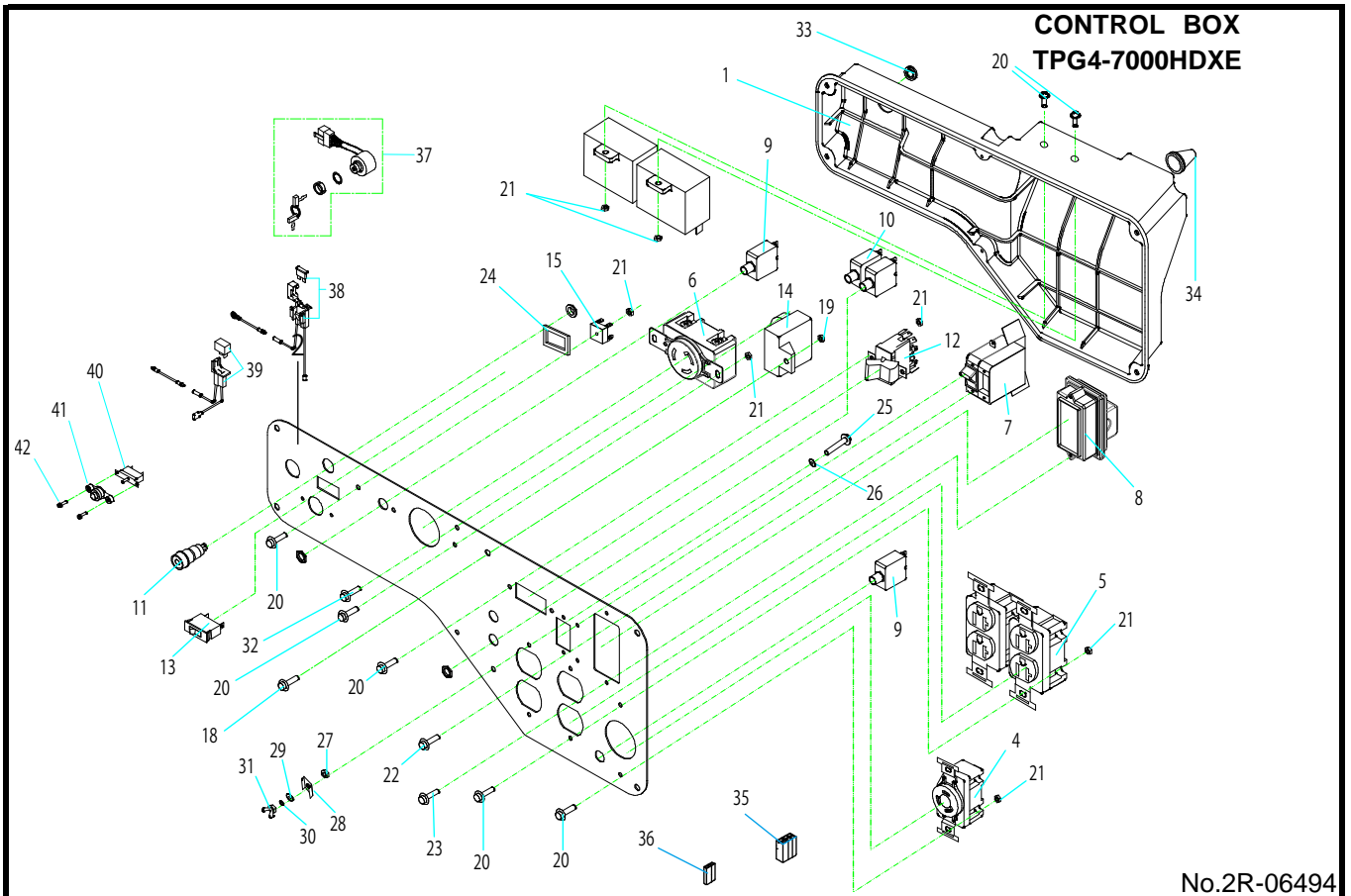
No.2R-06494

REF No.	Parts No.	Parts name	Q'ty	Price	Remarks
1	15411460000	BRACKET (1)	1		
2	15311462000	N-BRACKET	1		
3	15311461000	BRACKET (2)	1		
4	15200432000	ROTOR ASSY	1		WITH BALL BEARING
5	15250384000	STATOR ASSY	1		
6	15311471000	COVER,BRACKET	1		
7	15350583000	RUBBER BUSH	1		
8	15550156000	HEX,BOLT W/FLANGE(M10x1.25-275)	1		
9	15550153000	HEX,BOLT W/FLANGE(M6x1.0-190)	4		
10	15550476000	HEX,BOLT W/FLANGE(M8x1.0-20)	4		
11	15550210000	HEX,BOLT W/FLANGE(M5x0.8-12)	2		
12	15550248000	FLAT HEAD BOLT W/SOCKET(M8x1.25-20)	4		
13	19S00905007	CROSS RECESSED HEAD SCREW(M5-7)	1		
14	15350107000	TUBE,LEAD WIRE	1		
15	15400156000	CONNECTOR 6P	2		
16	15400160000	CONNECTOR 2P	1		
17	15250384100	STATOR ASSY	1		
18	15311780100	BALL BEARING	1		6205ZZ-CM



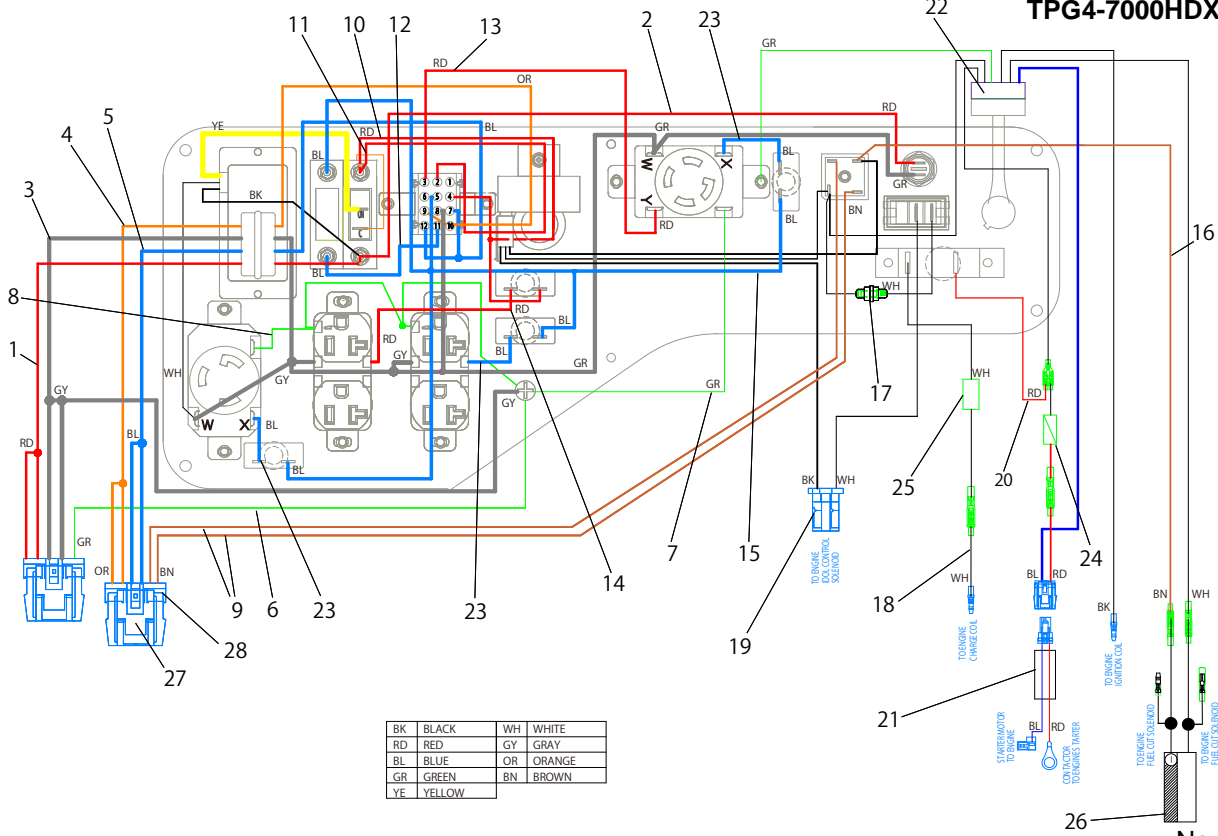
No.2R-06494

REF No.	Parts No.	Parts name	Q'ty	Price	Remarks
1	15350680000	CONTROL BOX	1		
2	15601700000	PANEL ASSY	1		
3					
4	15400105000	RECEPTACLE 30A, 125V	1		
5	15400003000	RECEPTACLE 20A, 125V	2		
6	15400106000	RECEPTACLE 30A, 125/250V	1		
7	15400541000	CURCUIT BREAKER 25A	1		
8	15400559000	UNIT , GFCI	1		
9	15400173000	CURCUIT BREAKER 30A	2		
10	15400171000	CURCUIT BREAKER 20A	2		
11	85111573300	NEON BRACKET , 125V	1		
12	15400143000	SWITCH,VOLTAGE SELECTOR	1		
13	15400108000	SWITCH,AUTO THROTTLE	1		
14	19600700660	CONTROL UNIT,AUTO THROTTLE	1		
15	15400240000	BRIDGE DIODE	1		
16	15400177000	CONDENSOR ASSY,18 μ F	2		
17					
18	19SF4906015	CROSS RECESSED HEAD SCREW (M6-15)	1		
19	19N10906000	HEX,NUT W/FLANGE M6	1		
20	19SF4904014	CROSS RECESSED HEAD SCREW (M4-14)	13		
21	19N10904000	HEX,NUT W/FLANGE M4	13		
22	19SF4903005	CROSS RECESSED HEAD SCREW (M3-5)	4		
23	19SF4903012	CROSS RECESSED HEAD SCREW (M3-12)	2		
24	15301082001	SWITCH SPACER	1		
25	15550330000	CROSS RECESSED HEAD SCREW (M5 \times 25)	1		
26	15550331000	TOOTH LOCK WASHER (M5)	1		
27	15550329000	HEX,NUT W/FLANGE (M5)	1		
28	15301979000	CAP WASHER (M5)	1		



REF No.	Parts No.	Parts name	Q'ty	Price	Remarks
29	15550333000	FLAT WASHER (M5)	1		
30	15550334000	LOCK WASHER (M5)	1		
31	15550335000	WING NUT (M5)	1		
32	15550589000	SCREW, SELF TAP M4-12	2		
33	15350472000	GROMMET	1		
34	15321880130	GROMMET PANEL LEAD #2	1		
35	15400157000	CONNECTOR 6P	2		
36	15400161000	CONNECTOR 2P	1		
37		SWITCH ASSY.,COMBINATION	1		HONDA PART
38		CASE COMP., FUSE	1		HONDA PART
39		COUPLER COMP., SILICON RECIFIER	1		HONDA PART
40		CIRCUIT PROTECTOR (1A, 125V)	1		HONDA PART
41		LENS ASSY,PROTECTOR	1		HONDA PART
42	19S00903012	CROSS RECESSED HEAD SCREW (M3-12)	2		

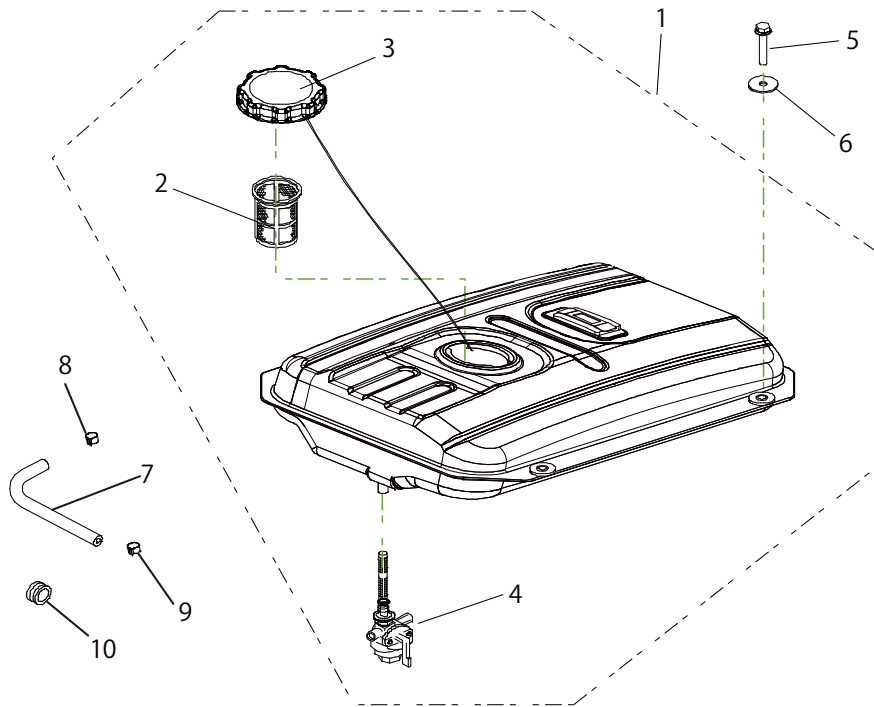
**CONTROL BOX
TPG4-7000HDXE**



No.2R-06494

REF No.	Parts No.	Parts name	Q'ty	Price	Remarks
1	15502519000	HARNES RED	1		
2	15502520000	HARNES RED	1		
3	15502523000	HARNES GRAY	1		
4	15502530000	HARNES ORANGE	1		
5	15502567000	HARNES BLUE	1		
6	15502526000	HARNES GREEN	1		
7	15502528000	HARNES GREEN	1		
8	15502529000	HARNES GREEN	1		
9	15502527000	HARNES BROWN	2		
10	15502566000	HARNES RED	1		
11	15502565000	HARNES RED	1		
12	15502563000	HARNES BLUE	1		
13	15502564000	HARNES RED	1		
14	15502532000	HARNES RED	1		
15	15502562000	HARNES BLUE	1		
16	15501169000	HARNES BROWN	1		
17	15501164000	HARNES, FUSE	1		
18	15501173000	HARNES WHITE	1		
19	15502568000	HARNES, IDLE CONTROL	1		
20	15501171000	HARNES RED	1		
21	15501172000	HARNES, CONNECTOR	1		
22	15502531000	HARNES, KEY SWITCH	1		
23	15502620000	HARNES BLUE	3		
24	15371275100	HARNES, FUSE	1		
25	15371275000	HARNES, DIODE	1		
26	15502153000	HARNES, CAPACITOR	1		
27	15400157000	CONNECTOR 6P	2		
28	15400162000	RETAINER	4		

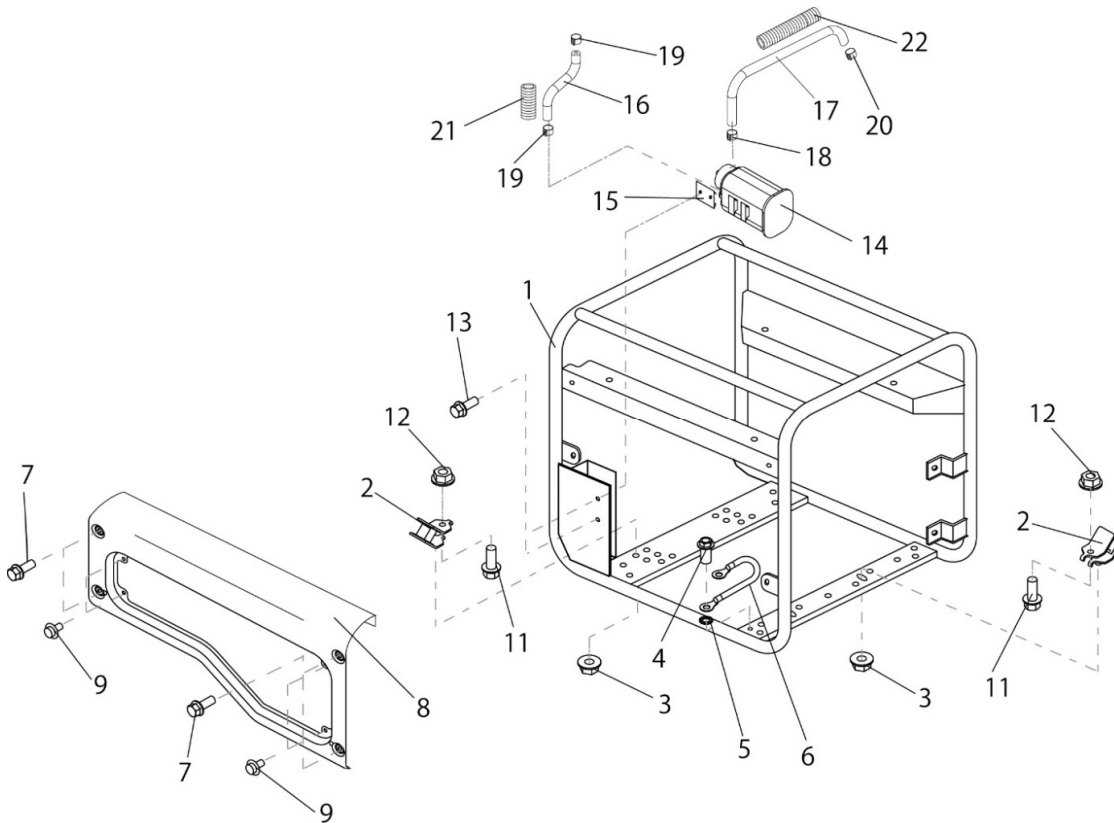
**FUEL TANK
TPG4-7000HDXE**



No.2R-06494

REF No.	Parts No.	Parts name	Q'ty	Price	Remarks
1	15601800200	FUEL TANK (BLUE) COMP.	1		WITH LABEL ※EXCEPT SPEC LABEL
2	15350860000	FILTER COMP., FUEL	1		
3	15950267000	CAP COMP., FUEL FILLER WITH CHAIN	1		
4	15150135010	FUEL VALVE	1		
5	19B30906025	HEX,BOLT W/FLANGE (M6×1.0-25)	4		
6	19W00906025	WASHER,TANK CUSHION (M6×25,1.6t)	4		
7		CRIP B8, TUBE	1		HONDA PART
8	15301192000	CRIP,TUBE	1		
9	15350694001	TUBE,FUEL (210mm)	1		
10		RUBBER,FUEL TUBE	1		HONDA PART

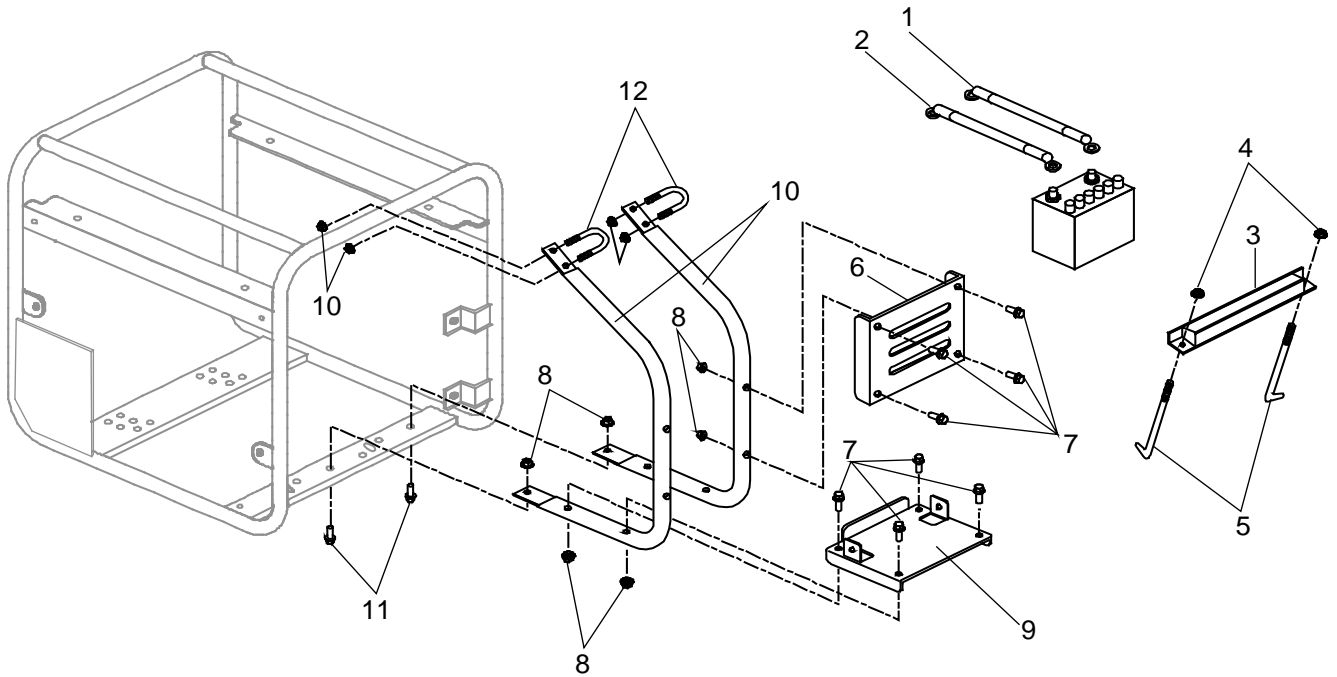
**FRAME
TPG4-7000HDXE**



No.2R-06494

REF No.	Parts No.	Parts name	Q'ty	Price	Remarks
1	15302009000	FRAME	1		
2	200900520	ANTI-VIBRATION RUBBER	4		
3	203200100	HEX,NUT W/FLANGE(M8-1.25)	4		
4	15550251000	HEX, BOLT W/FLANGE (M6×12)	1		
5	19W50906000	TOOTH LOCK WASHER(M6)	1		
6	15501130000	BONDING WIRE	1		
7	15550264000	BOLT, M6-16	6		
8	15601798000	CASE, CONTROL ASSY (BLUE)	1		WITH RUBBER
9	15550438000	CROSS RECESSED HEAD SCREW(M6-15)	4		
10					
11	203000721	HEX, BOLT W/FLANGE (M10×45)	4		
12	203200021	HEX,NUT W/FLANGE(M10X1.25)	4		
13	19SS6906012	BOLT, M6-12	2		
14	15950138001	CARBON CANISTER (Q-18-16)	1		
15	15950141000	STAY , CARBON CANISTER	1		
16	15350676001	TUBE , SURGE	1		
17	15350678001	TUBE , PURGE	1		
18	15302061000	CRIP , φ11.6	1		
19	15302060000	CRIP , φ10.0	2		
20	15302063000	CRIP , φ14.8	1		
21	15350701000	TUBE , CORRUGATE (320mm)	1		
22	15350700000	TUBE , CORRUGATE (800mm)	1		

**BATTERY KIT
TPG4-7000HDXE**



No.2R-06494

REF No.	Parts No.	Parts name	Q'ty	Price	Remarks
1	15361574000	CABLE, GROUND	1		
2	15361575000	CABLE, STARTER	1		
3	15301689000	PLATE, SETTING	1		
4	19N10906000	HEX,NUT W/FLANGE (M6)	2		
5	15550324000	BOLT, SETTING	2		
6	15301688000	PLATE, PROTECTION	1		
7	15550209000	HEX, BOLT W/FLANGE (M8-35)	8		
8	15550207000	HEX,NUT W/FLANGE (M8)	14		
9	15301687000	PLATE, BATTERY	1		
10	15302068000	FRAME, BATTTERY	2		
11	15550208000	HEX, BOLT W/FLANGE (M8-16)	2		
12	15550184000	U-BOLT	2		